

VENTURE LINE, INC.

VENTURE LINE, INC.

VENTURE LINE, INC.

VENTURE LINE, INC.

VENTURE LINE, INC.

VENTURE LINE, INC.

A Step in the right direction

AMAZING

*Invasion from the profound cosmos.
Aliens ecormously growing and ominously propagating, Spiders!
"Spiders" offers magnificent screen pictures
by adopting full graphic (full Bit Color) hardware.
It is never possible by conventional video game.
Now coming new era of video game-Sigma's "Spiders"!!*

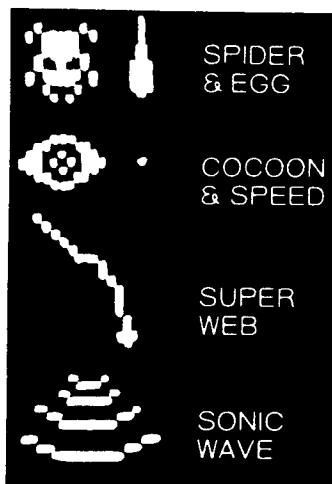
SPIDERS

AVAILABLE

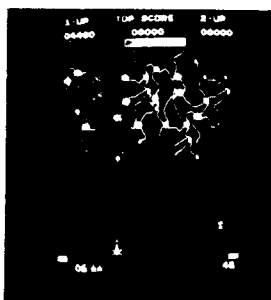
UP-RIGHT/COCKTAIL TABLE (19")

How to play

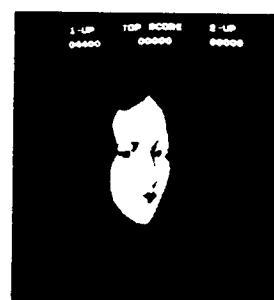
- 1 game...1 player- 25¢ /2 players-50¢
- Press the button of 1 player or 2 players
- Move player's gun right and left by control lever and destroy Spider's web (cocoon), repeatedly attacking Spiders and super web.
- Upon hitting white Spider, bonus point is awarded-It becomes higher as pattern progresses.
- At 15000 points, one player's gun is added. (Adjustable)
- When all player's guns are destroyed or 16 (adjustable) Spiders make landing on the earth, the game is over. (Every time one Spider makes landing, green Spider's belt is formed)
- Every time one super web is hit, one Spider's belt is vanished.



Giant Spider appearing upon game start



offensive and defensive battle in full graphic magnificent screen



'Space Mona-Lisa' appearing upon end of 3 patterns. Imagine what is it in next pattern!

VENTURE LINE, INC.

2207 S. 48th St., Suite H Tempe, AZ 85282
(602) 967 5914

| Pattern | 1 | 2 | 3 | 4 | 5 | 6 | 7 | 8 | 9 | 10 | 11 | 12 | 13 | 14 | |
|---------|-----|-----|-----|-----|-----|-----|-----|----|-----|-----|-----|-----|-----|----|---------|
| Mode A | 27 | 36 | 45 | 54 | 63 | 72 | 81 | 98 | 45 | 54 | 63 | 72 | 81 | 98 | pcs |
| Mode B | 20 | 27 | 34 | 41 | 48 | 55 | 62 | 69 | 34 | 41 | 48 | 55 | 62 | 69 | pcs |
| Mode A' | 1 | 1 | 1 | 3.5 | 3.5 | 4 | 4.5 | 5 | 1 | 3.5 | 3.5 | 4 | 4.5 | 5 | seconds |
| Mode B' | 0.7 | 0.7 | 0.7 | 2 | 3 | 3.2 | 3.4 | 4 | 0.7 | 2 | 3 | 3.2 | 3.4 | 4 | seconds |

Remarks: Mode A & B for the number of grownable cocoons.

Mode A' & B' for the frequency of the spiders appearance.

DIP S/W No. 1 (The number of coins and plays)

| | | | |
|-----|-----|-----|-----------------|
| (1) | (2) | (3) | |
| ON | ON | ON | FREE PLAY |
| ON | ON | OFF | 1 Coin 2 Plays |
| ON | OFF | ON | 1 Coin 3 Plays |
| OFF | ON | ON | 2 Coins 1 Play |
| ON | OFF | OFF | 4 Coins 5 Plays |
| OFF | OFF | OFF | 1 Coin 1 Play |

DIP S/W No. 2

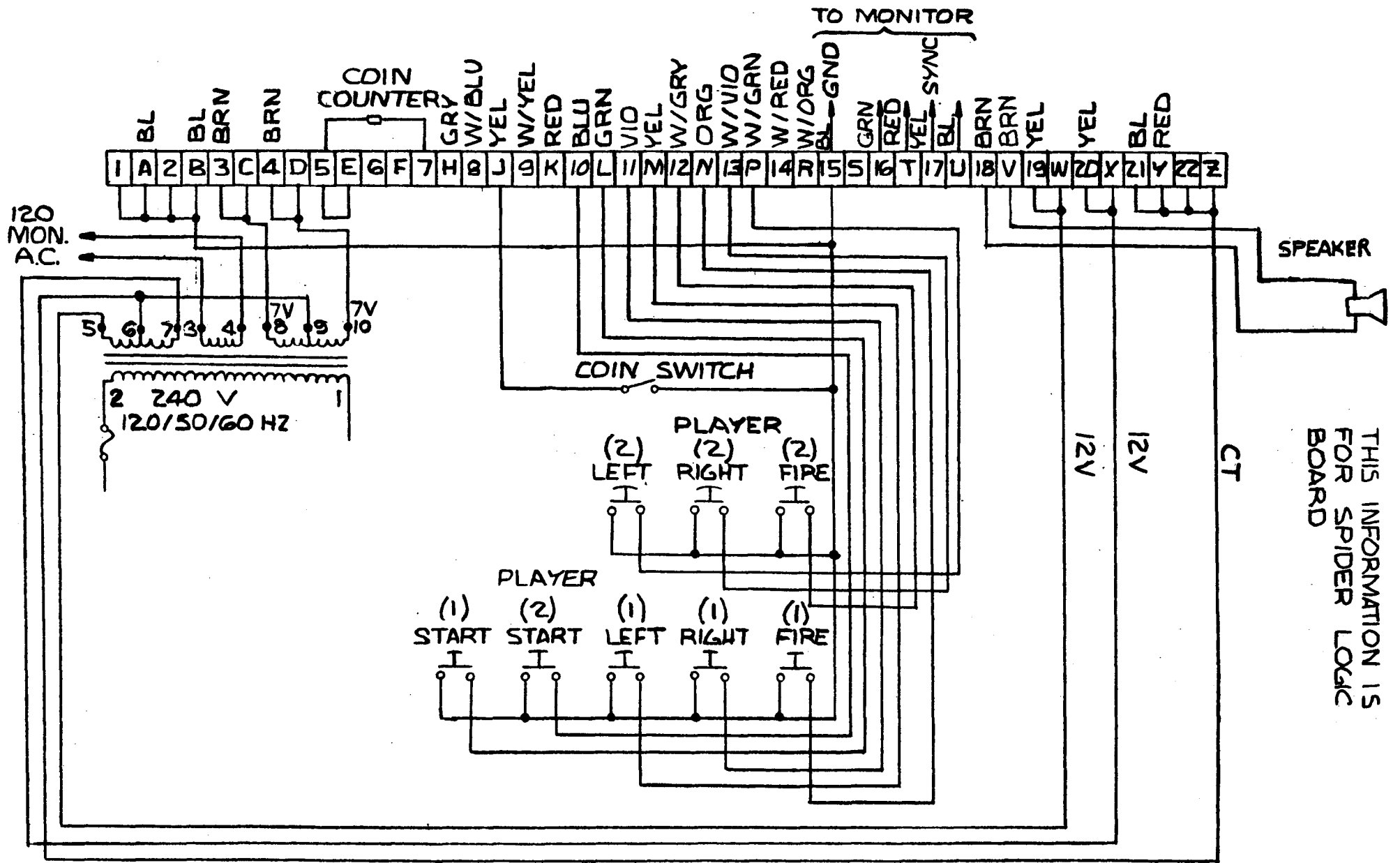
| | | |
|-----|-----|--|
| (1) | (2) | (Mode) |
| ON | ON | A A' |
| ON | OFF | A B' |
| OFF | ON | B A' |
| OFF | OFF | B B' |
| (3) | (4) | (The number of spiders which land to complete spider belt) |
| ON | ON | 14 |
| ON | OFF | 20 |
| OFF | ON | 26 |
| OFF | OFF | 16 |
| (5) | | (The number of spare player guns |
| ON | | 4 |
| OFF | | 3 |
| (6) | (7) | (The score for an extra player gun) |
| ON | ON | NIL |
| ON | OFF | 20,000 |
| OFF | ON | 25,000 |
| OFF | OFF | 15,000 |
| (8) | | (A giant spider appears) |
| ON | | Only once after completing the 1st screen. |
| OFF | | Whenever after completing each screen. |

DIP S/W No. 3

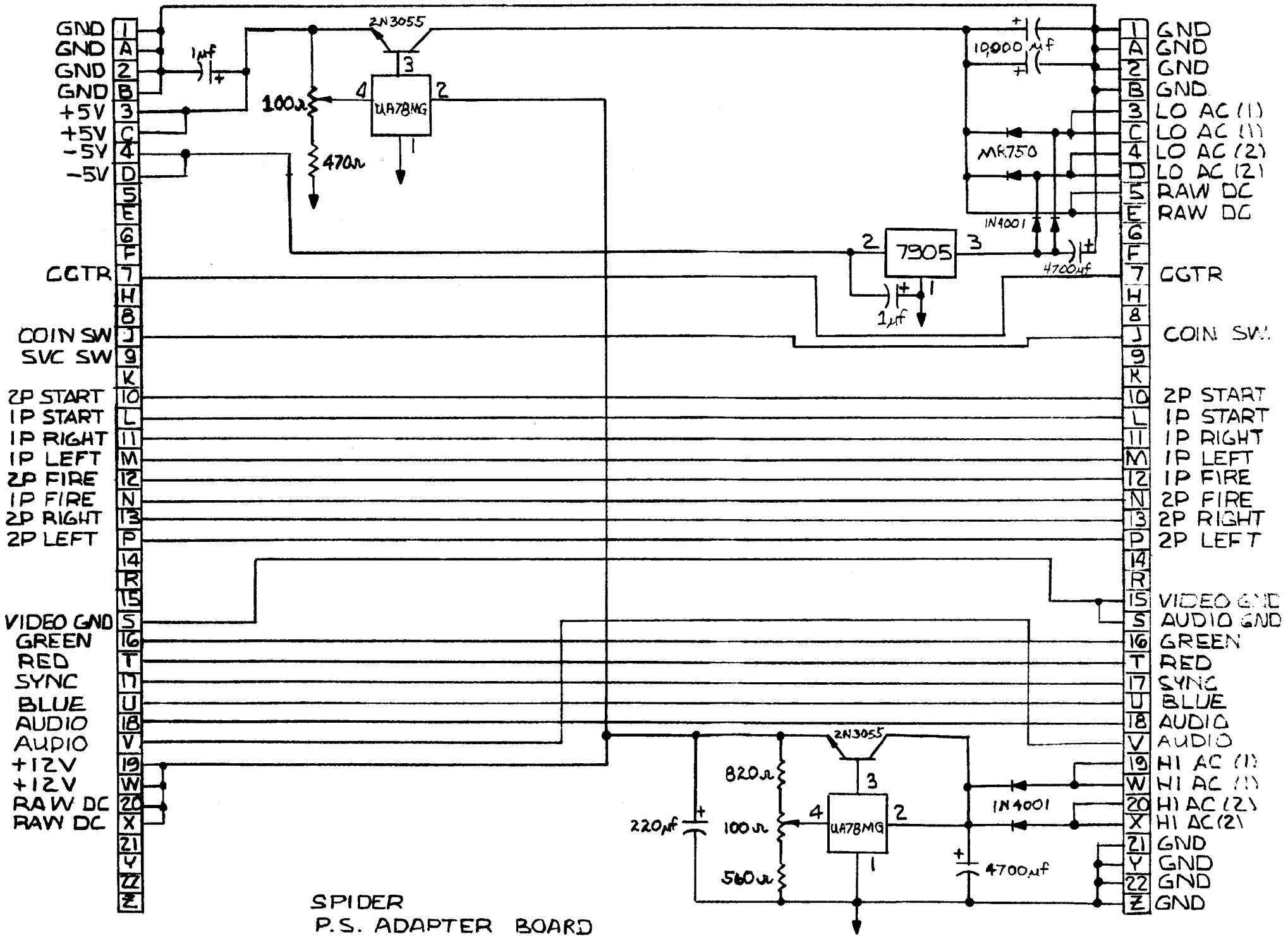
(1) For the use of reversing picture on screen.
(2) ON: for UPRIGHT version, OFF: for COCKTAIL TABLE.
(3) ---- (8) For adjustment the position of picture vertically or horizontally. (3-5)
(6-8)

FOR CENTERING PICTURE

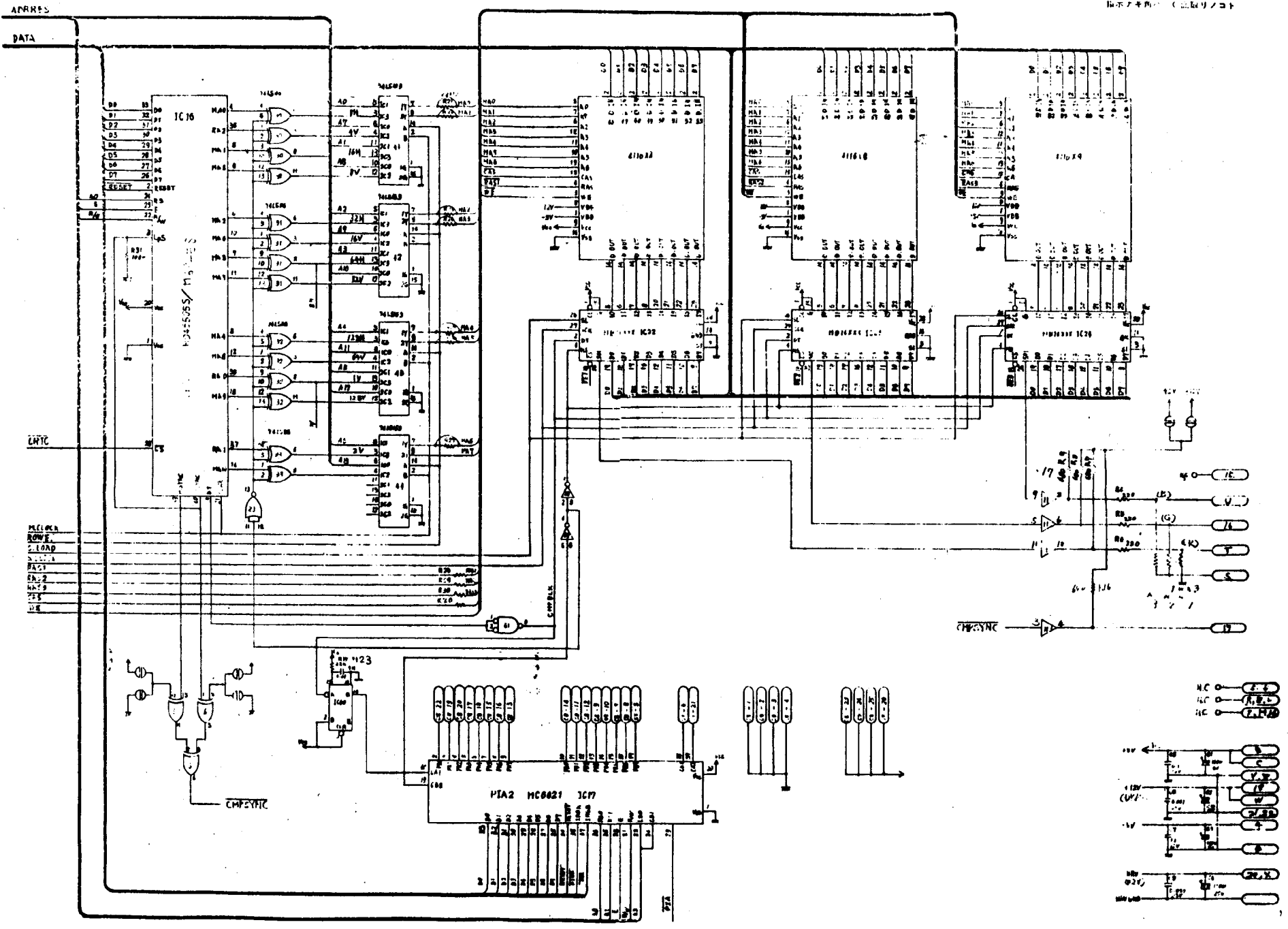
| | |
|---------|---------|
| 3 - ON | 6 - OFF |
| 4 - OFF | 7 - ON |
| 5 - ON | 8 - OFF |



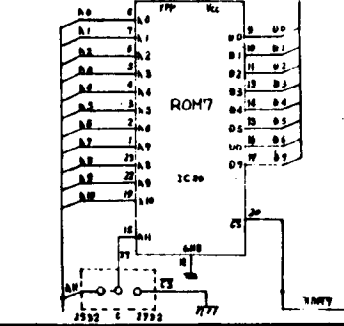
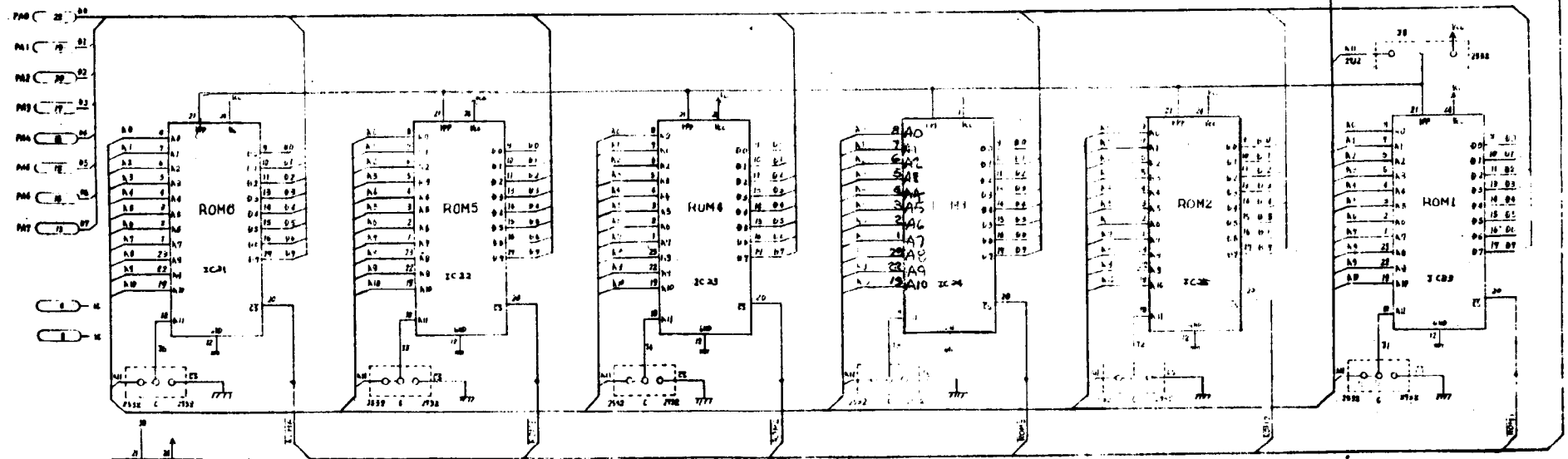
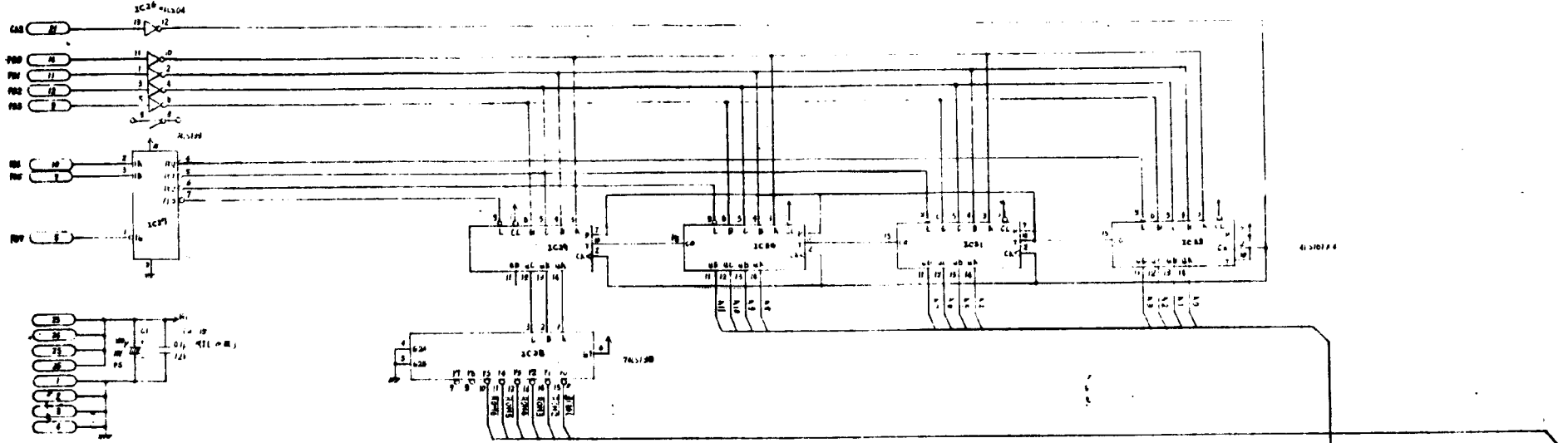
THIS INFORMATION IS FOR SPIDER LOGIC BOARD



SPIDER
P.S. ADAPTER BOARD



A-42 MAIN 2



VENTURE LINE, INC.

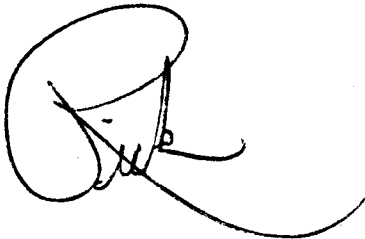
2207 South 48th Street • Suite H • Tempe, Arizona 85282
(602) 967-5914

January 20, 1982

Dear Distributor,

The recent modification for the rapid fire mechanism on "Spiders" was incomplete. I have enclosed for your convenience a second instruction sheet. Please be sure to check all Spiders currently in your inventory.

Thank You,

A handwritten signature in black ink, appearing to be 'Rick Wood', written in a cursive style with a large initial 'R'.

Rick Wood
Director of Marketing
Venture Line Inc.



2207 South 48th Street • Suite H • Tempe, Arizona 85282
(602) 967-5814

REVISED SPIDER RAPID FIRE MODIFICATION

1) CUT TRACE AT PIN 5 OF IC-15 (6821)

ADD FOLLOWING JUMPERS

1) IC 3 PIN 13 TO IC 61 PIN 4

2) IC 15 PIN 5 TO IC 61 PIN 6

3) IC 61 PIN 5 TO IC 30 PIN 3

IT IS RECOMMENDED THAT YOU USE A 24 GAUGE SOLID WIRE.

VENTURE LINE, INC.

Electronics Manufacturing - Video Games

3731 EAST LA SALLE

1-800-528-1442

PHOENIX, ARIZONA 85040

602 967-5914

TELEX: 165-800

VLITMPE