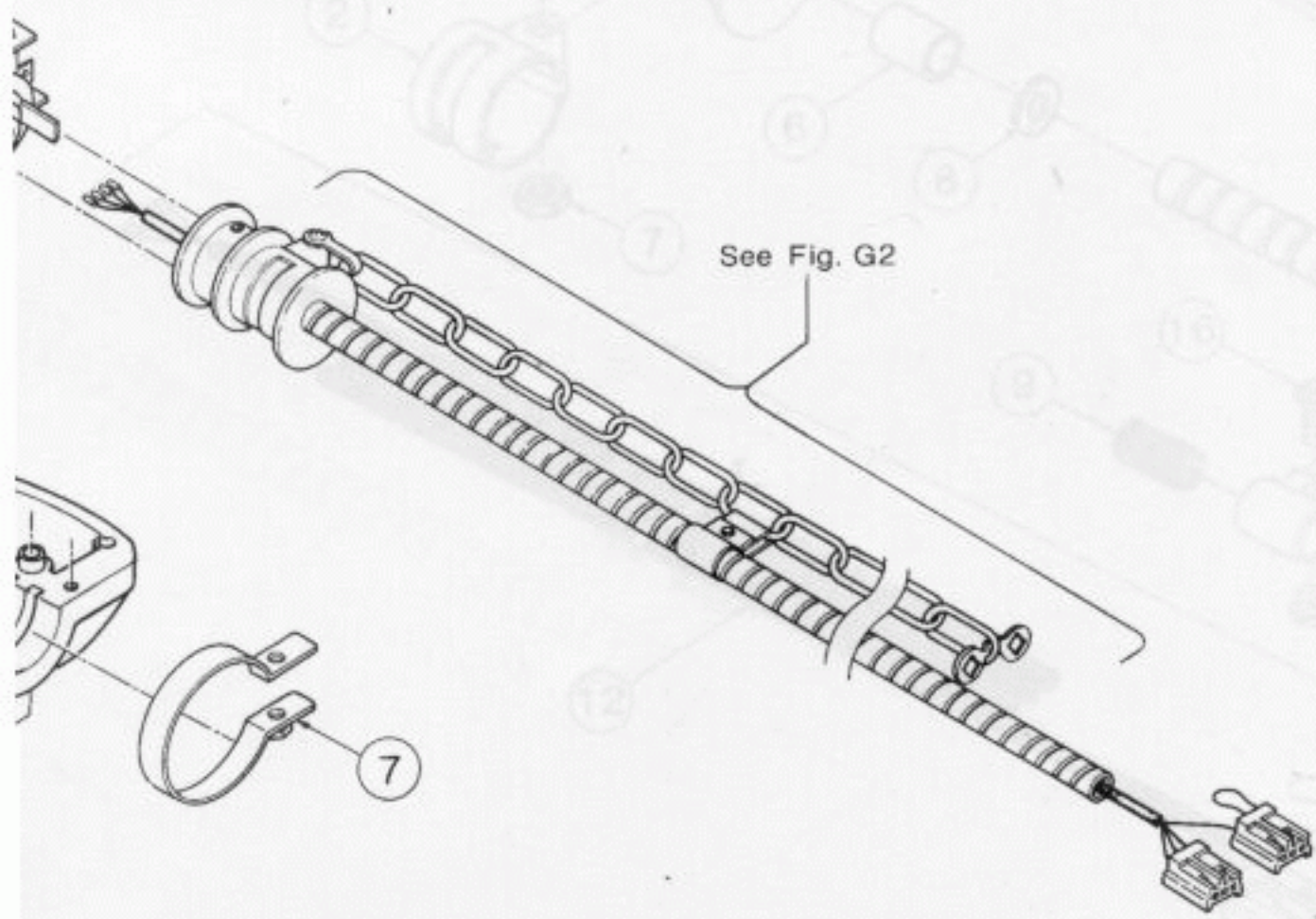


Fig.G1 062G2 Gun Assembly : PARTS LIST

ITEM	PART No.	DESCRIPTION
1	MDSG2-12-11	062G2 Gun Housing L
2	MDSG2-12-12	062G2 Gun Housing R
3	MDSG2-13-11	062G2 Lens F100
4	MDSG2-10-01	062G2 Gun P.C.Board Ass'y Complete
5	MDSG2-10-03	062G2 Trigger Ass'y Complete
6	MDSG2-10-02	062G2 Swivel Contact Ass'y Complete
7	MDSG2-11-18	062G2 Grip Retainer
8	MDSG2-51-11	LH-3 Screw 3x8 Black
9	MDSG2-51-12	LH-3 Screw 3x16 Black
10	MDSG2-51-13	LH-3 Screw 3x20 Black
11	MDSG2-51-20	LH-3 Screw 3x18 Nickel
12	MDSG2-53-15	Nut M3 Black



G1

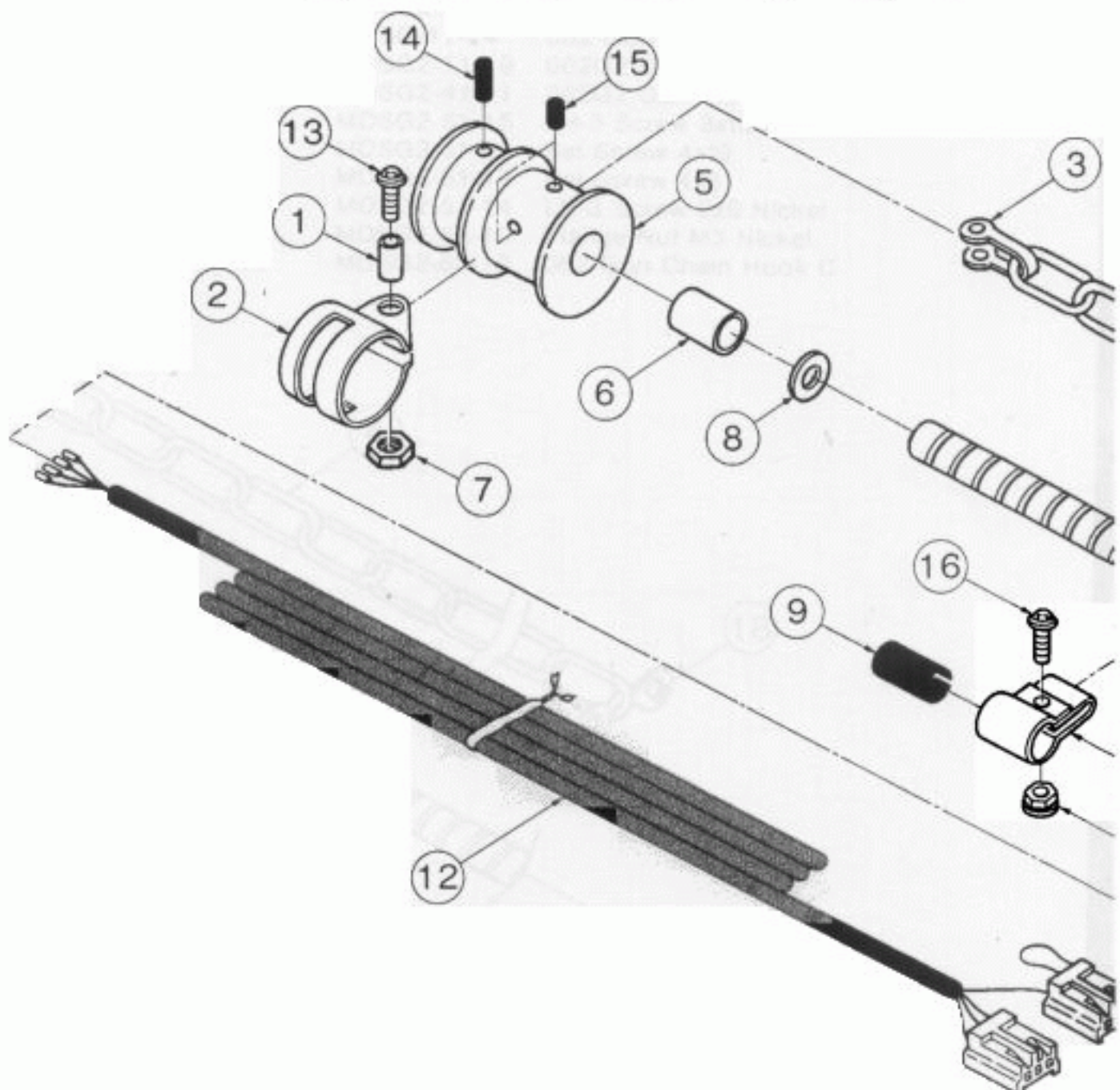
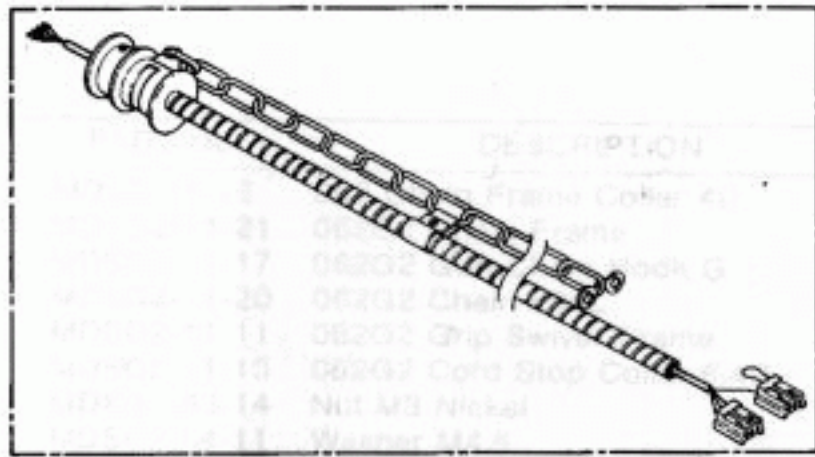
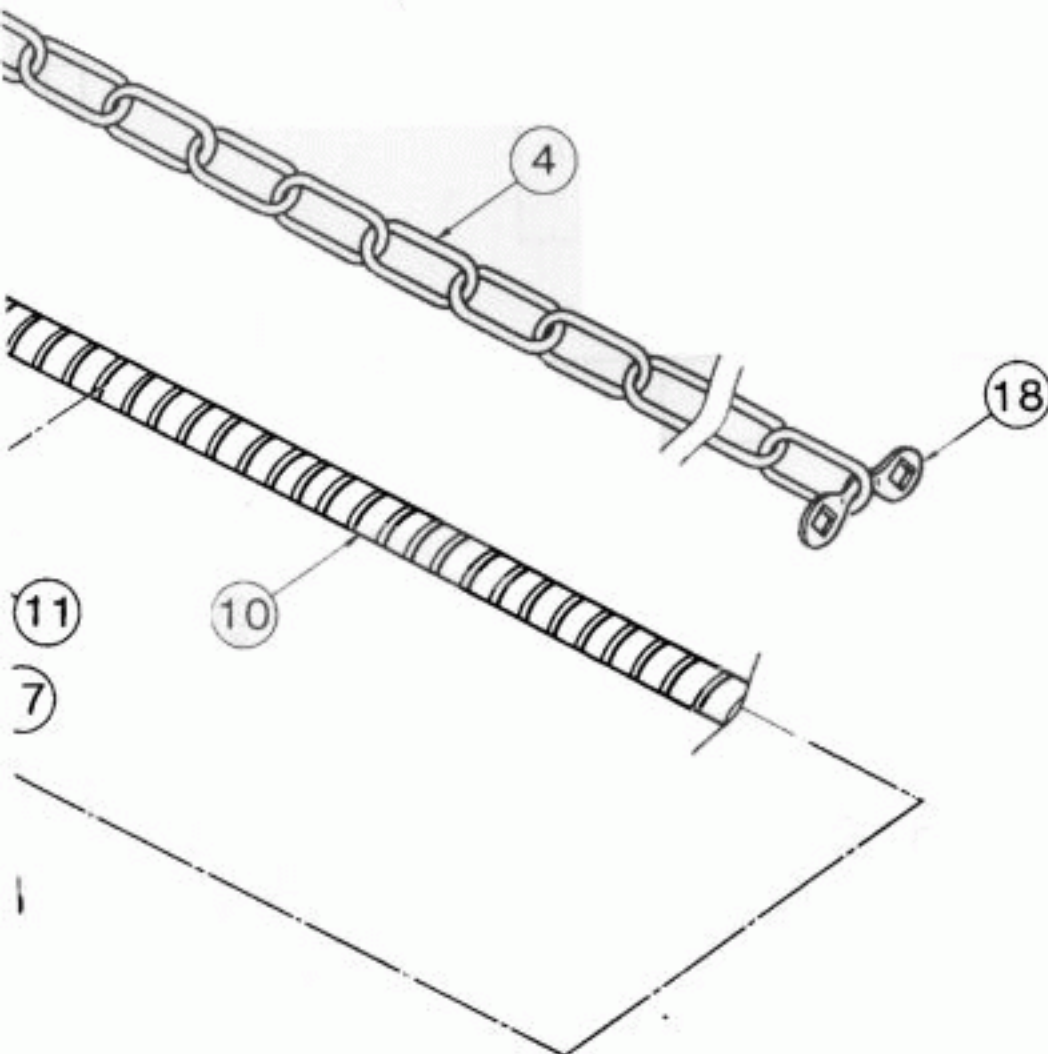


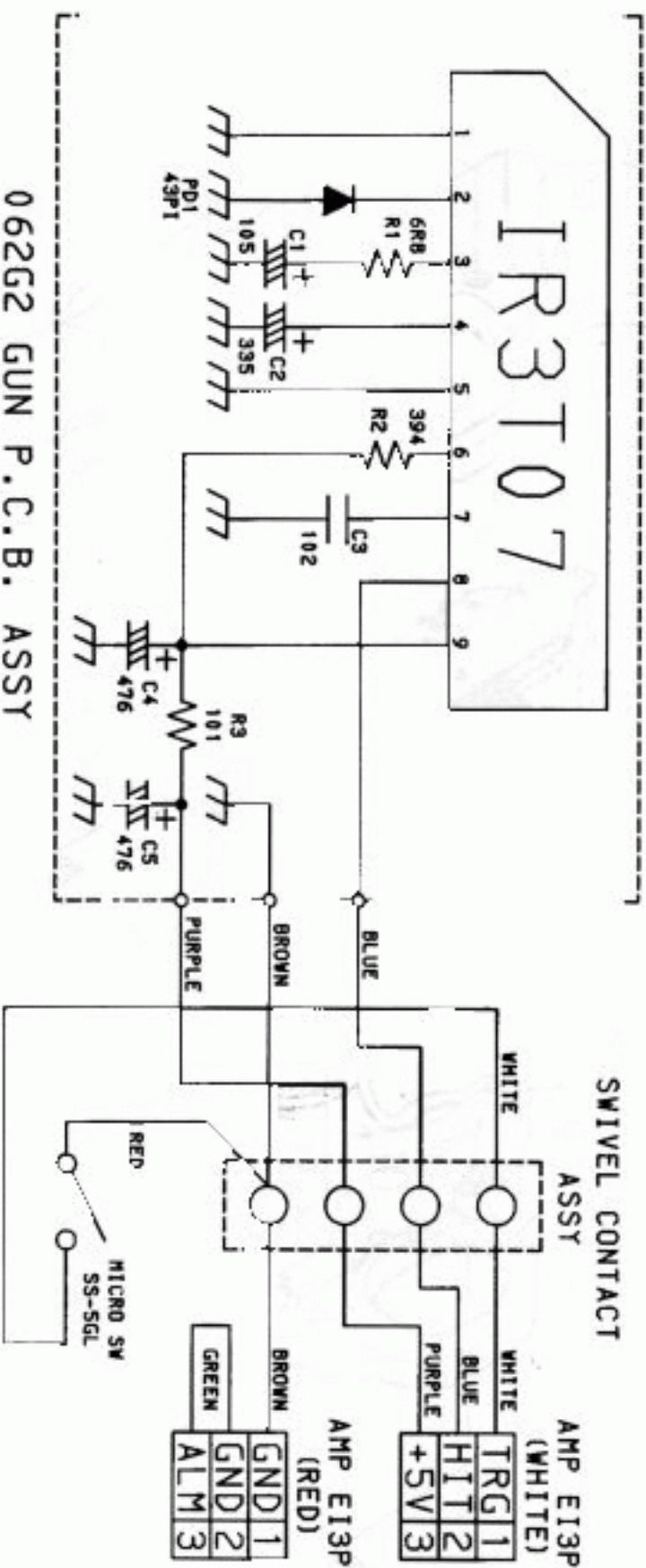
Fig.G2

Fig.G2

ITEM	PART No.	DESCRIPTION
1	MDSG-11-16	062 Chain Frame Collar 4D
2	MDSG2-11-21	062G2 Chain Frame
3	MDSG2-11-17	062G2 Gun Chain Hook G
4	MDSG2-11-20	062G2 Chain 900L
5	MDSG2-11-11	062G2 Grip Swivel Frame
6	MDSG2-11-13	062G2 Cord Stop Collar 6.4D
7	MDSG2-53-14	Nut M3 Nickel
8	MDSG2-54-11	Washer M4.5
9	MDSG2-43-11	Double Sided Adhesive Tape
10	MDSG-11-24	062 Gun Flexible Cable 1000L
11	MDSG2-11-19	062G2 Chain Ring Frame
12	MDSG2-41-11	062G2 Gun Harness 4C-1600L
13	MDSG2-51-15	LH-3 Screw 3x10 Nickel
14	MDSG2-51-16	Set Screw 4x10
15	MDSG2-51-17	Set Screw 4x6
16	MDSG2-51-14	LH-3 Screw 3x6 Nickel
17	MDSG2-53-12	Flange Nut M3 Nickel
18	MDSG2-63-13	062 Gun Chain Hook C



062G2 GUN P.C.B. ASSY



CIRCUIT DIAGRAM		PARTS NO		PARTS NAME		MATERIAL DESCRIPTION		QTY		REMARKS	
DESIGN	T. SUMI	DATE	25-APR-86	SCALE	/	SIZE	A4	TRIGONOMETRY			
CHECK											

MARK	CHANGE NOTE	DESIGN	APPROVE
------	-------------	--------	---------

NINTENDO

NAME  
062G2 GUN  
DRAWING NO  
412