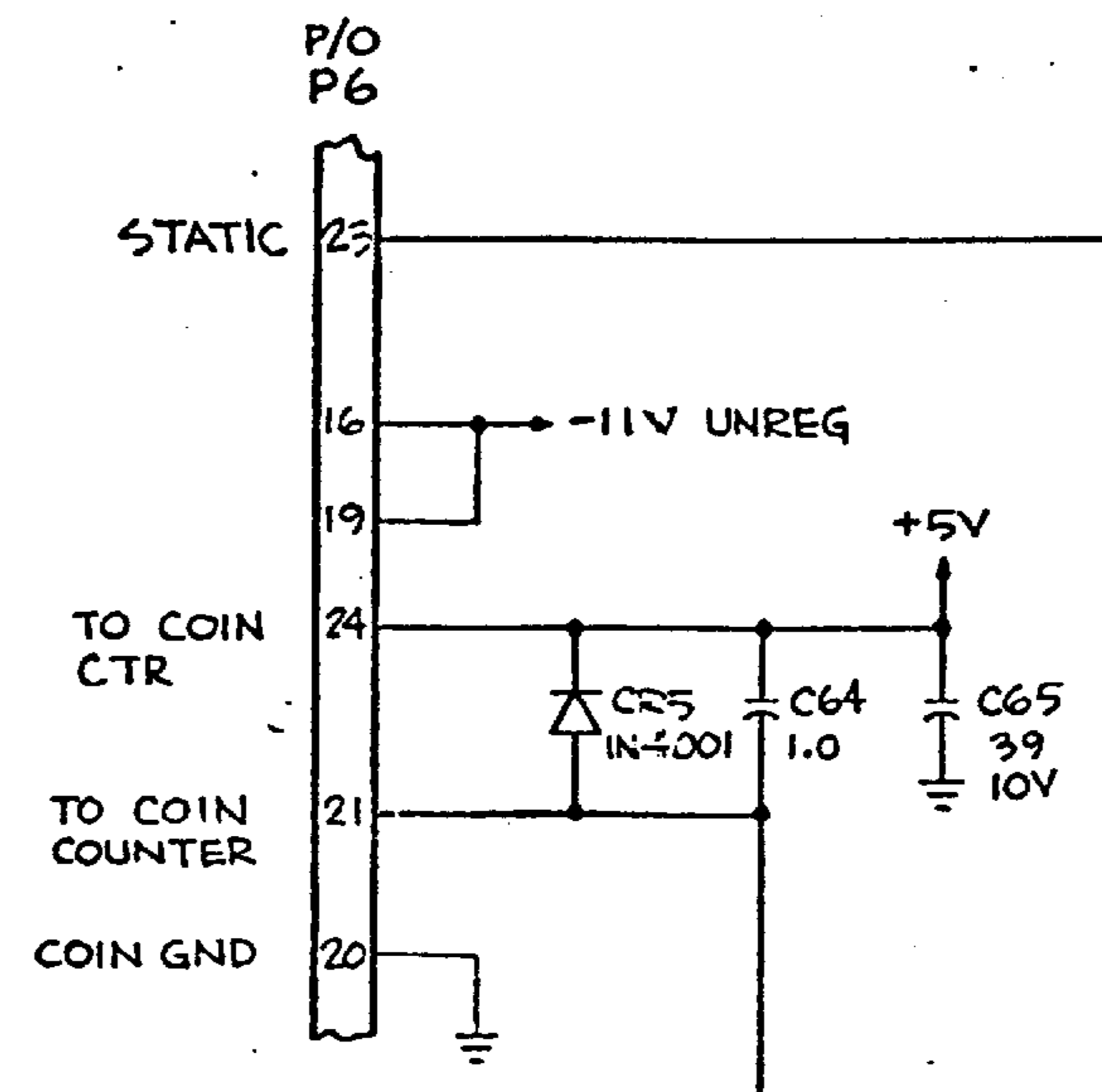
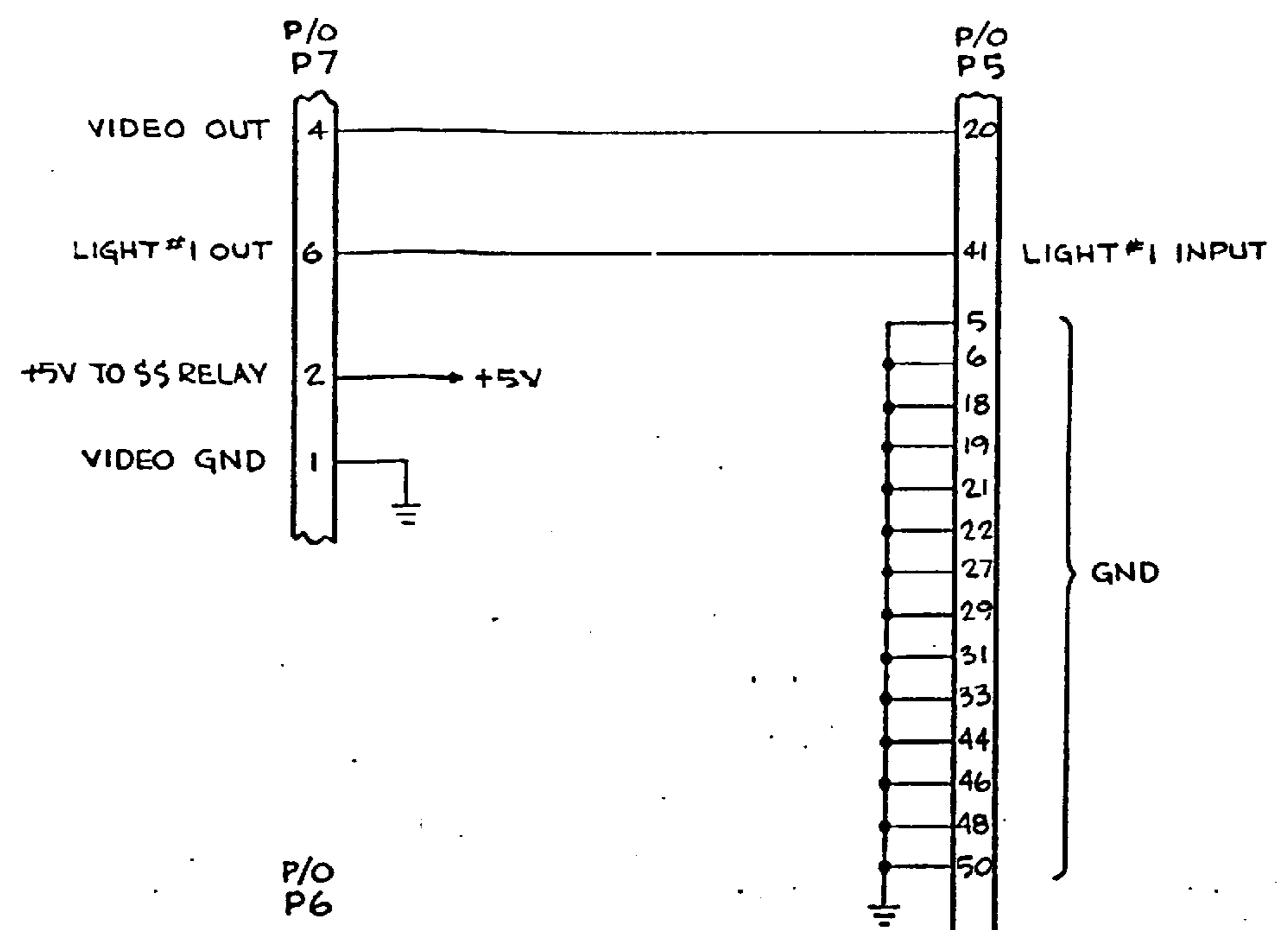
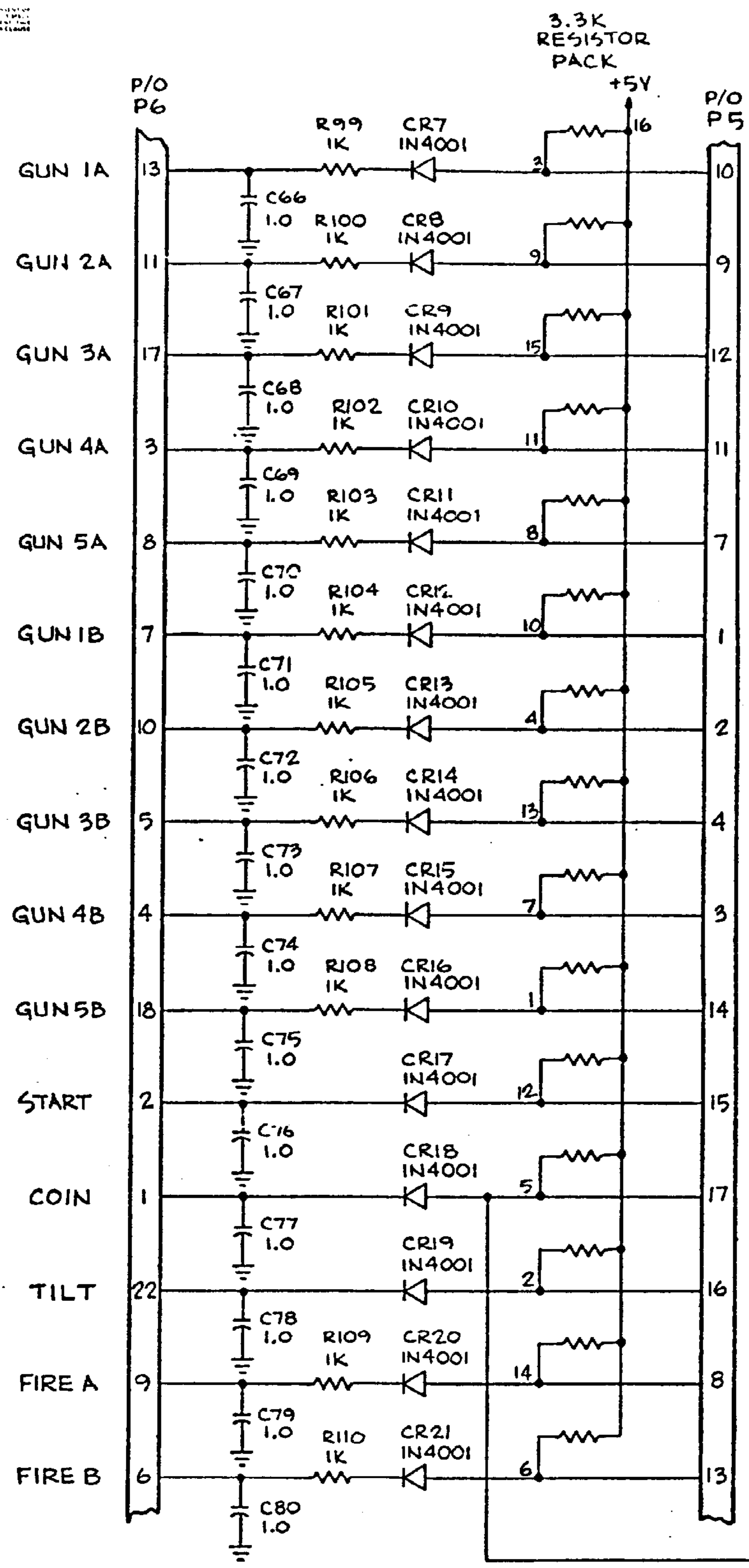


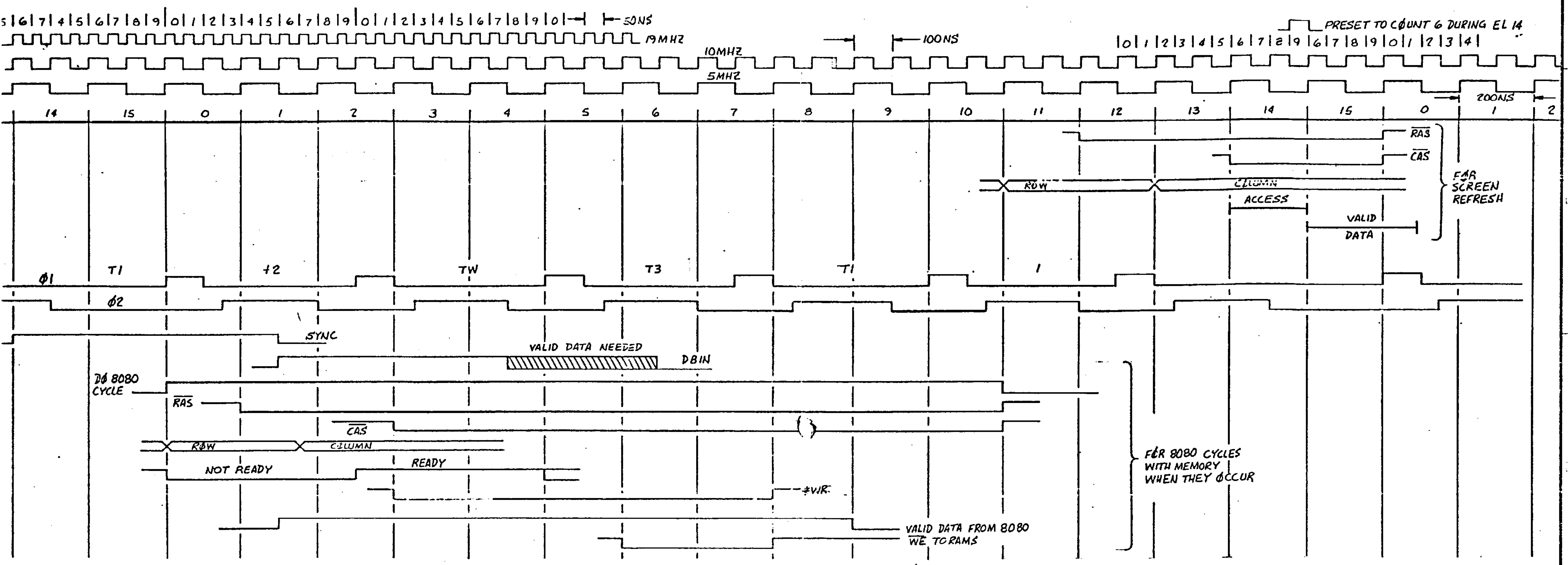
QTY	PART NO.	ITEM DESCRIPTION	ITEM NO.
LIST OF MATERIALS			
RAMTEK			
SIGNATURES		DATE	
OWN	<i>[Signature]</i>	7-77	
CHK	<i>[Signature]</i>	7-77	
ENG			
APVC			
FINISH		SCALE	SWG NO.
NEXT ASSY		1/8" = 1"	550918
		SHT 1 OF 1	REV A

LT#	DESIGNATION	REV	DATE
A	PROTO		
B	REV PER ECO 507439		



- NOTES: UNLESS OTHERWISE SPECIFIED.
1. ALL RESISTANCE VALUES IN OHMS, 1/4W ±5%.
 2. ALL CAPACITANCE VALUES IN MICROFARADS.
 3. REF DWGS: FAB DWG 550855
ASSY DWG 550856

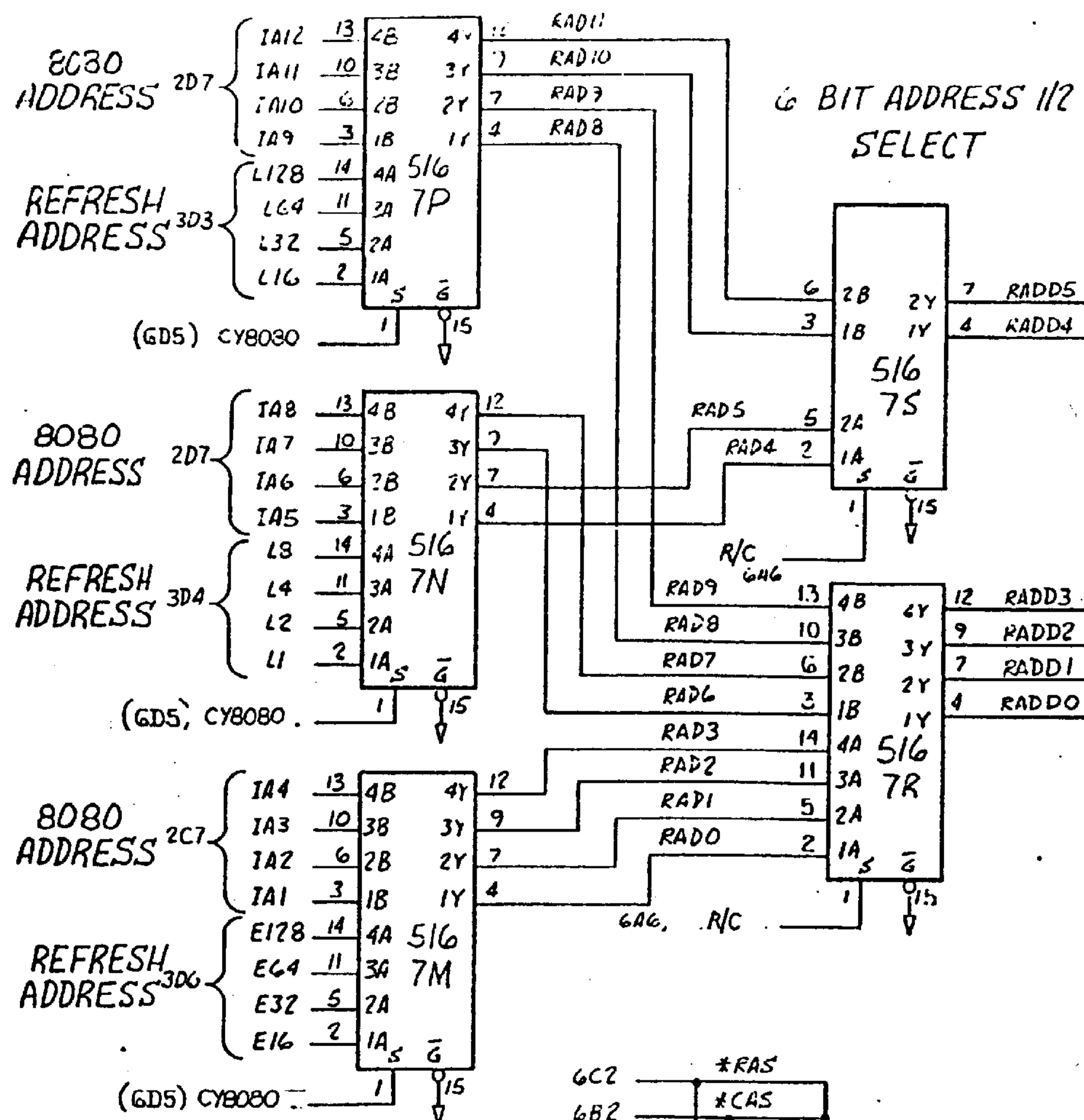
QTY	PART NO	ITEM DESCRIPTION	TEC
REQD			NO
LIST OF MATERIALS			
TOLERANCES		DO NOT SCALE DRAWING	
UNLESS OTHERWISE SPECIFIED		SIGNATURES	
REVISIONS ALL DIMENSIONS TO CENTER UNLESS OTHERWISE SPECIFIED		DATE	
.12 .002 ANG		DWN	
MATERIAL		CHS	
550856		ENG	
FINISH		APVC	
NEXT ASSY		REV	
		DATE	
		7-77	
		7-77	
		SIZE	
		SCALE	
		DWG NO	
		550854	
		REV	
		B	



QTY	PART NO	ITEM DESCRIPTION	ITEM NO
LIST OF MATERIALS			

TOLERANCES UNLESS OTHERWISE SPECIFIED HOLE: ±.0005 & BREAK ALL DIMENSIONS		DO NOT SCALE DRAWING		RAMTEK	
SIGNATURES		DATE		TIMING DIAGRAM	
DWN	T. W. ALLESTED	3-5-79		GAME BOARD M-79	
MATL	CHK	ENG		SIZE	SCALE
FINISH	APVD	DWS NO.		SHT	REV
NEXT ASSY				8	1

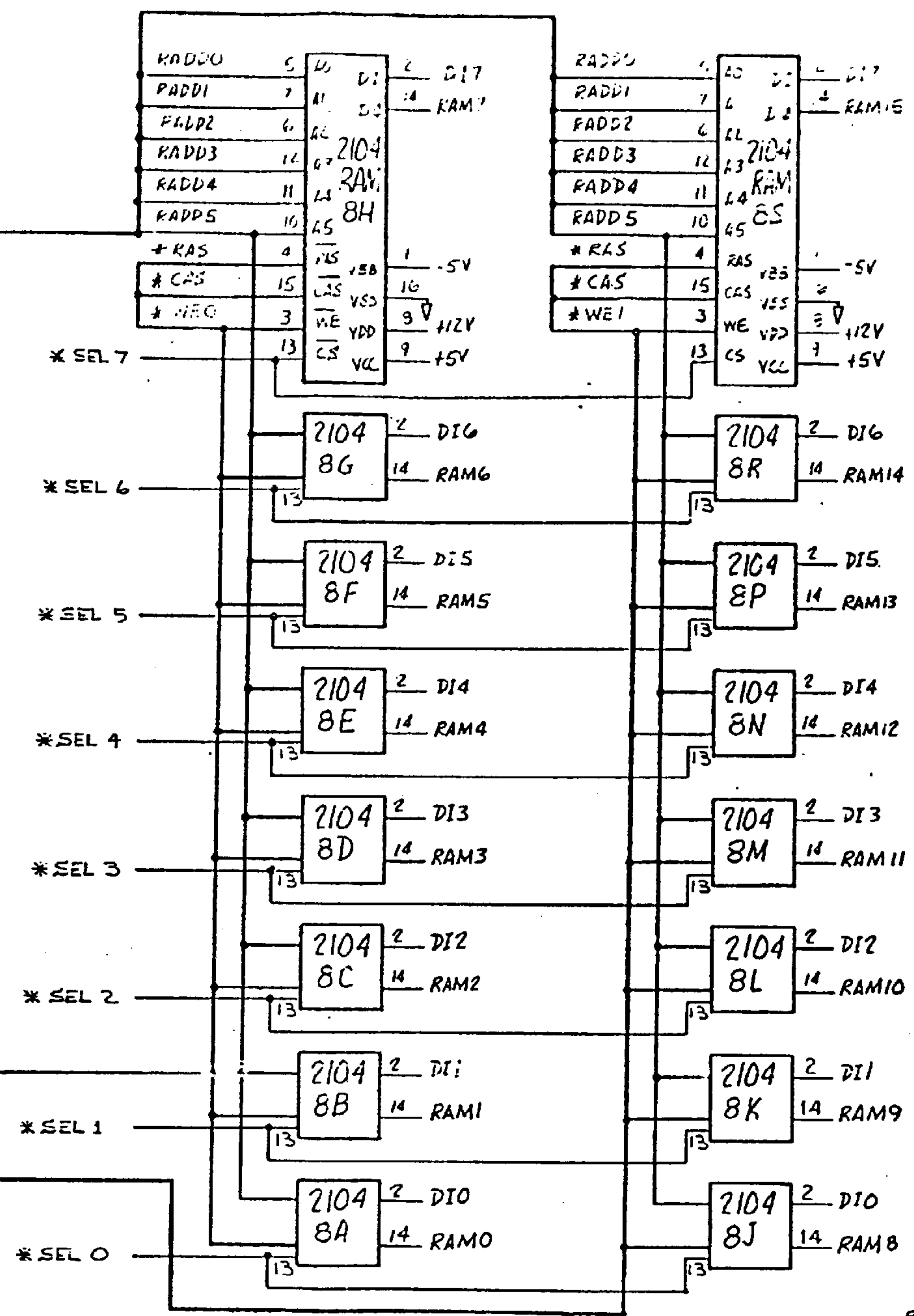
REFRESH/8080 ADDRESS SELECT



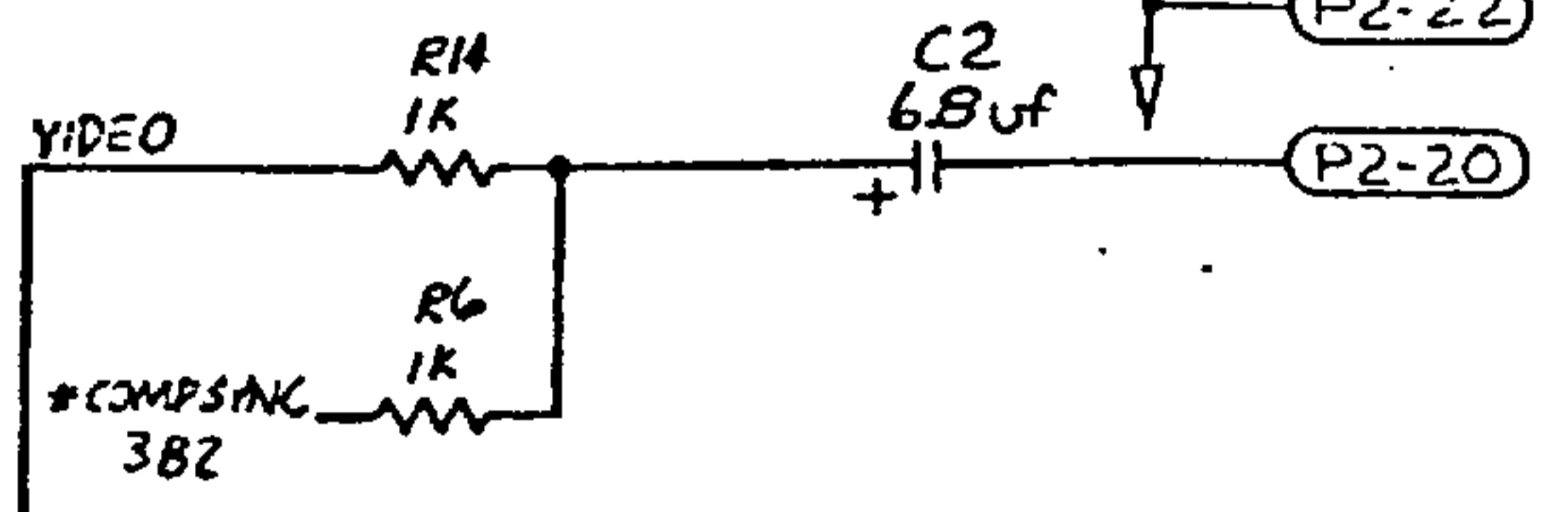
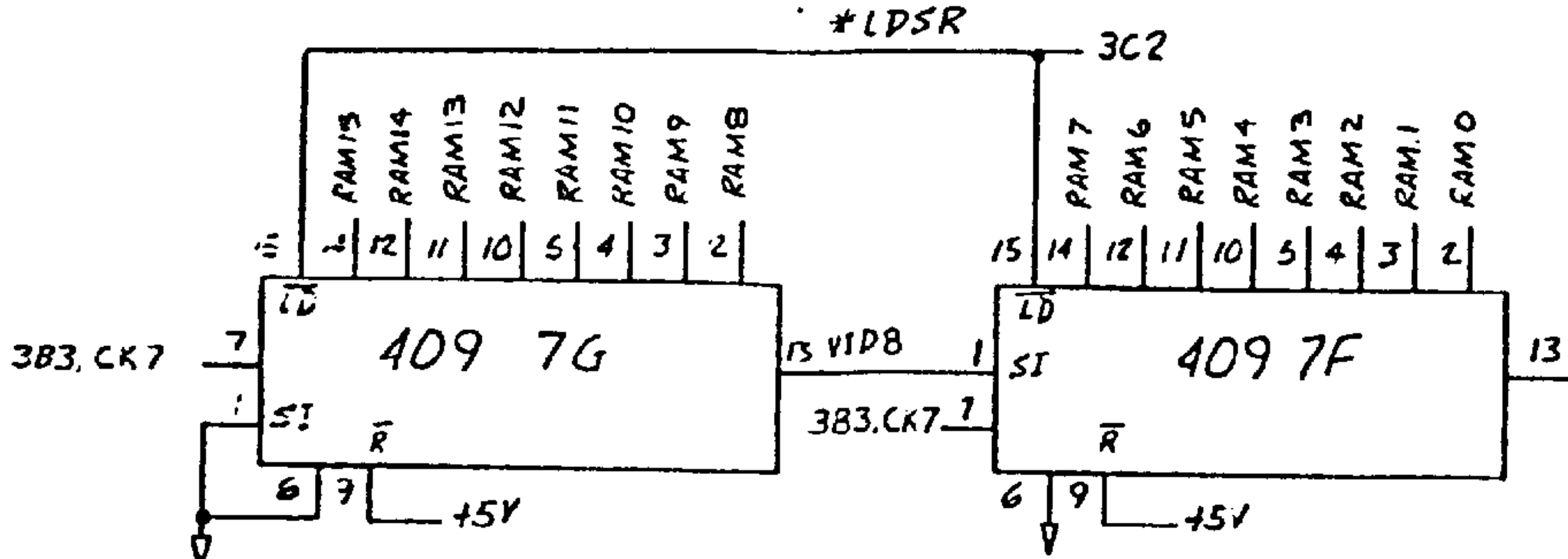
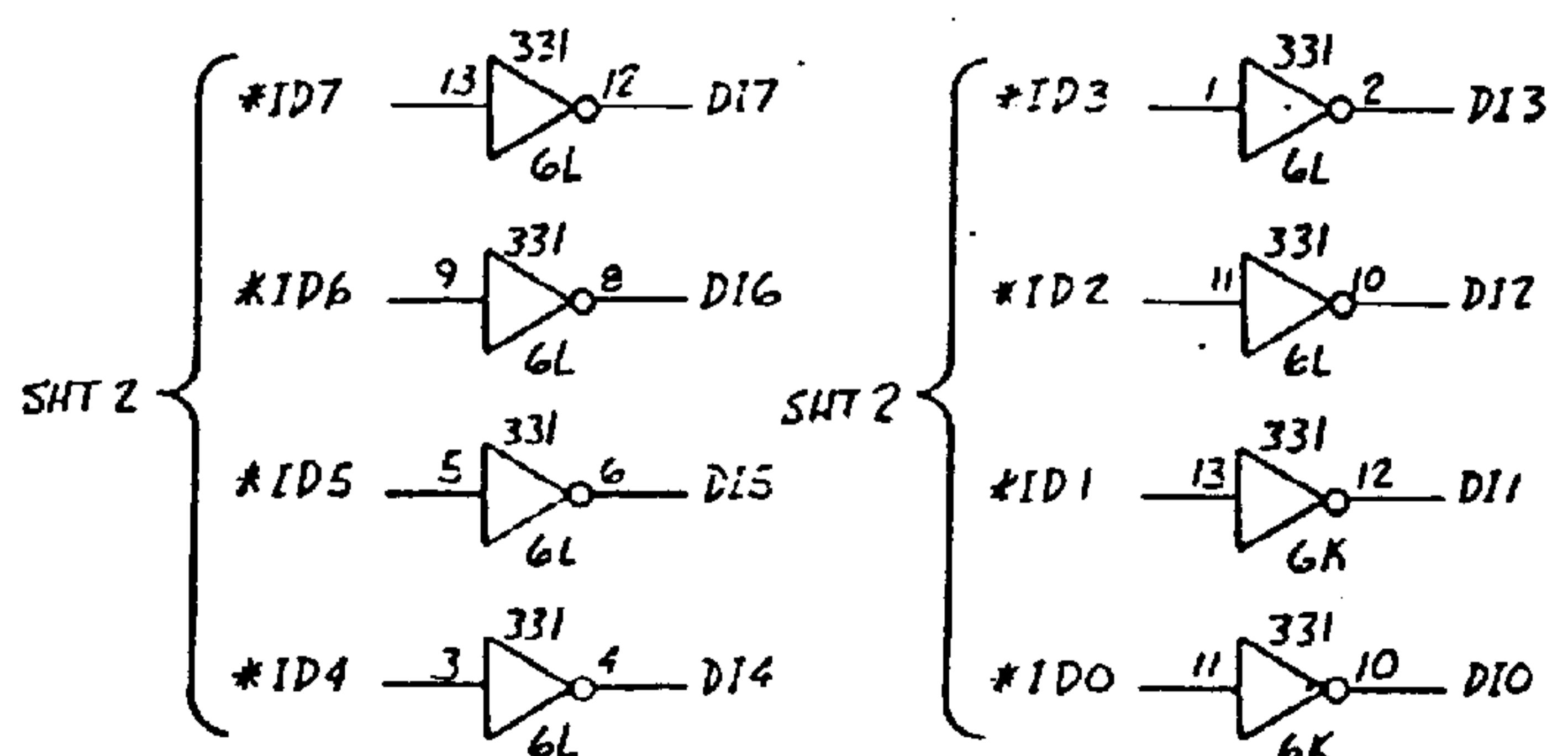
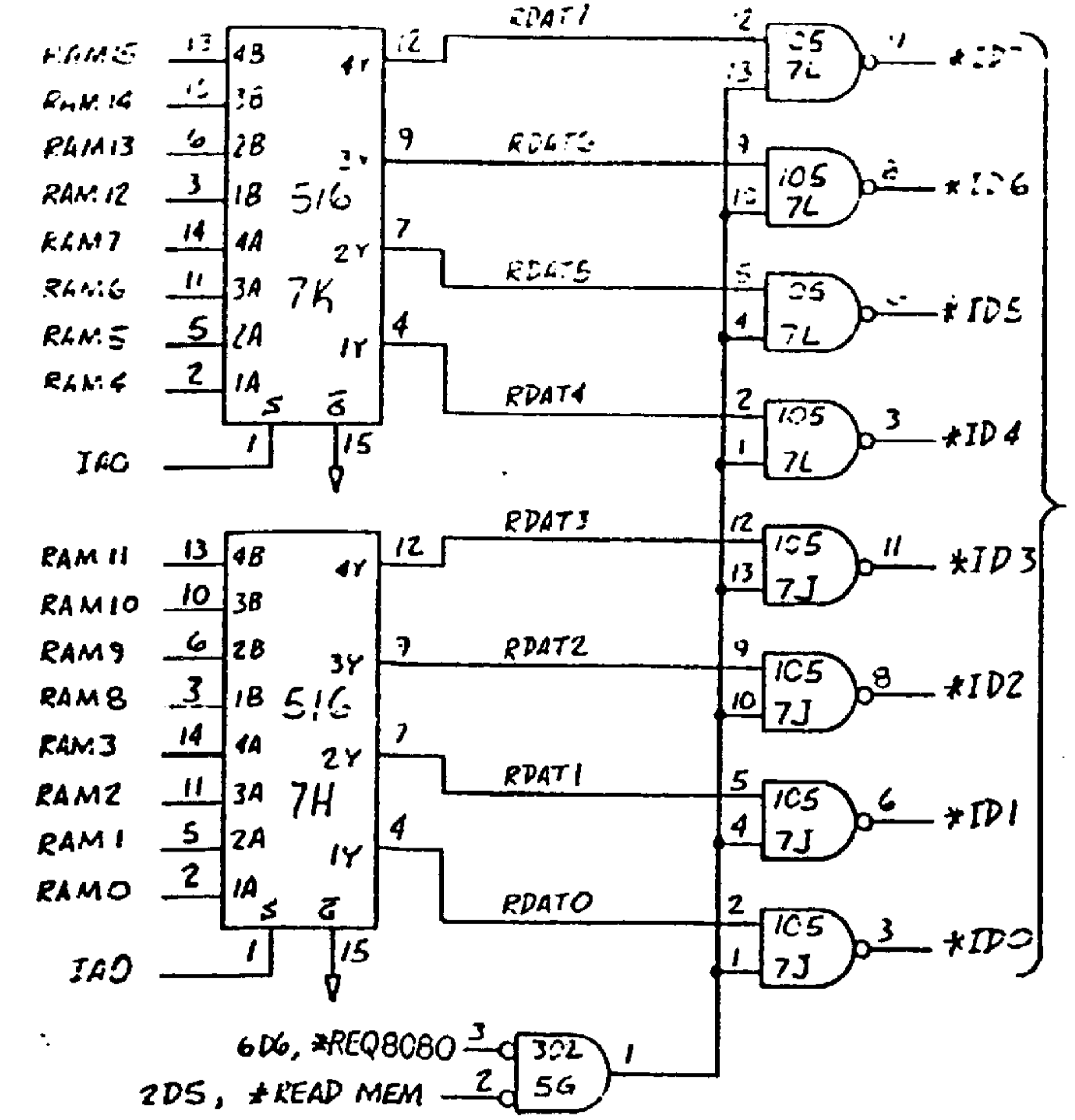
EVEN BYTE ADDRESSES

ODD BYTE ADDRESSES

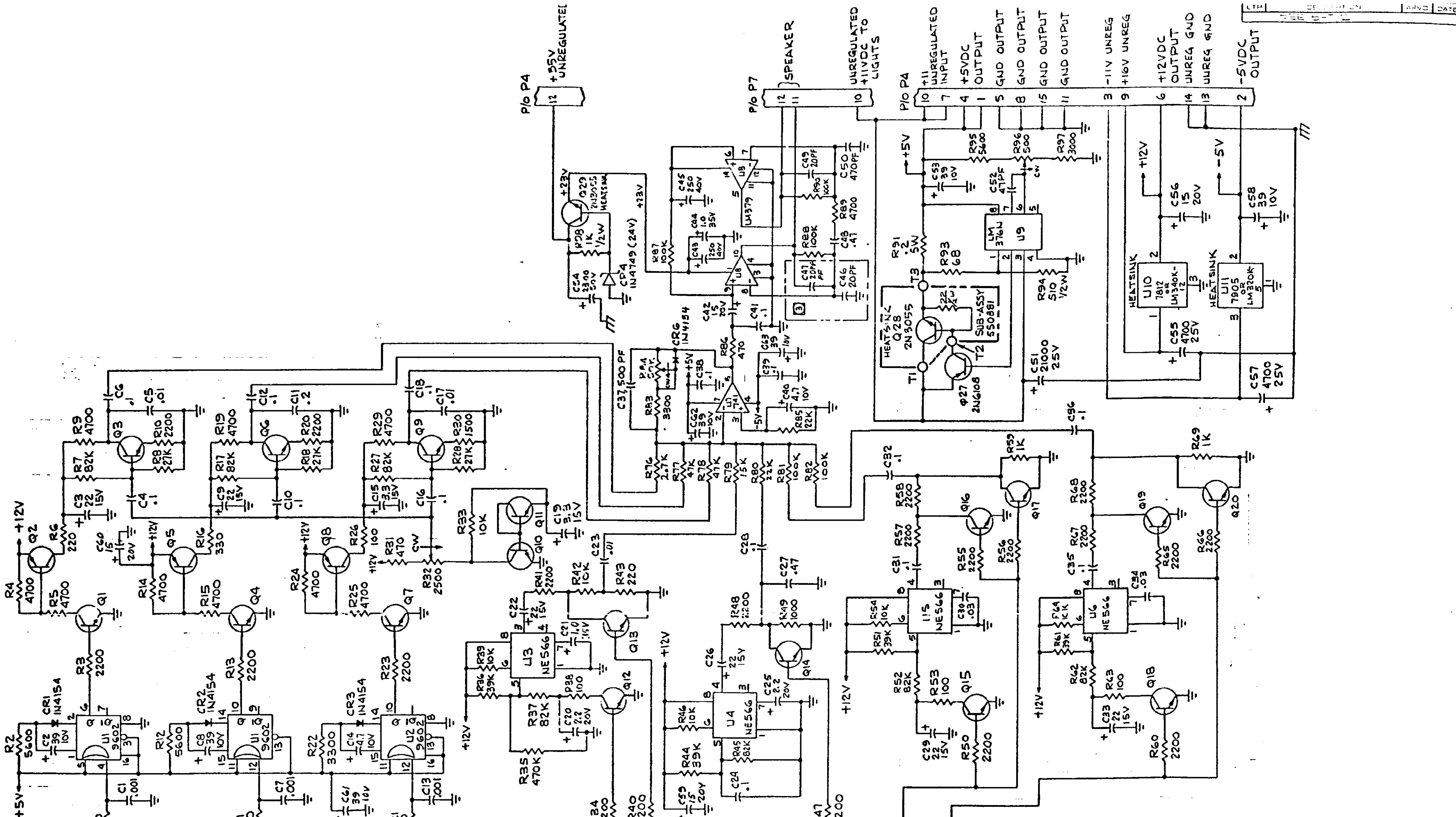
BYTE SELECT



8080 INTERNAL DATA BUS



QTY	PART NO	ITEM DESCRIPTION
LIST OF MATERIALS		
RAMTEK		
LOGIC DIAGRAM, GAME ED. M-79		
TOLERANCES	DO NOT SCALE DRAWING	SIGNATURES
DATE	DATE	DATE
SCALE	SCALE	SCALE
550851		



REV		QTY	PART NO.	ITEM DESCRIPTION	REV
0	0				
1	0				
2	0				
3	0				
4	0				
5	0				
6	0				
7	0				
8	0				
9	0				
10	0				
11	0				
12	0				
13	0				
14	0				
15	0				
16	0				
17	0				
18	0				
19	0				
20	0				
21	0				
22	0				
23	0				
24	0				
25	0				
26	0				
27	0				
28	0				
29	0				
30	0				
31	0				
32	0				
33	0				
34	0				
35	0				
36	0				
37	0				
38	0				
39	0				
40	0				
41	0				
42	0				
43	0				
44	0				
45	0				
46	0				
47	0				
48	0				
49	0				
50	0				
51	0				
52	0				
53	0				
54	0				
55	0				
56	0				
57	0				
58	0				
59	0				
60	0				
61	0				
62	0				
63	0				
64	0				
65	0				
66	0				
67	0				
68	0				
69	0				
70	0				
71	0				
72	0				
73	0				
74	0				
75	0				
76	0				
77	0				
78	0				
79	0				
80	0				
81	0				
82	0				
83	0				
84	0				
85	0				
86	0				
87	0				
88	0				
89	0				
90	0				
91	0				
92	0				
93	0				
94	0				
95	0				
96	0				
97	0				
98	0				
99	0				

TOLERANCES		DO NOT SCALE DRAWING		SIGNATURES		DATE
RESISTORS	±1%	DESIGNED BY	DATE	DESIGNED BY	DATE	
CAPACITORS	±5%	CHECKED BY	DATE	CHECKED BY	DATE	
TRANSISTORS	±5%	ENG	DATE	ENG	DATE	
DIODES	±5%	APVD	DATE	APVD	DATE	
IC'S	±5%					
INDUCTORS	±5%					
RELAYS	±5%					
CONNECTORS	±5%					
OTHER	±5%					

RAMTEK
SCHEMATIC DIAGRAM
INTERFACE
550854 B