

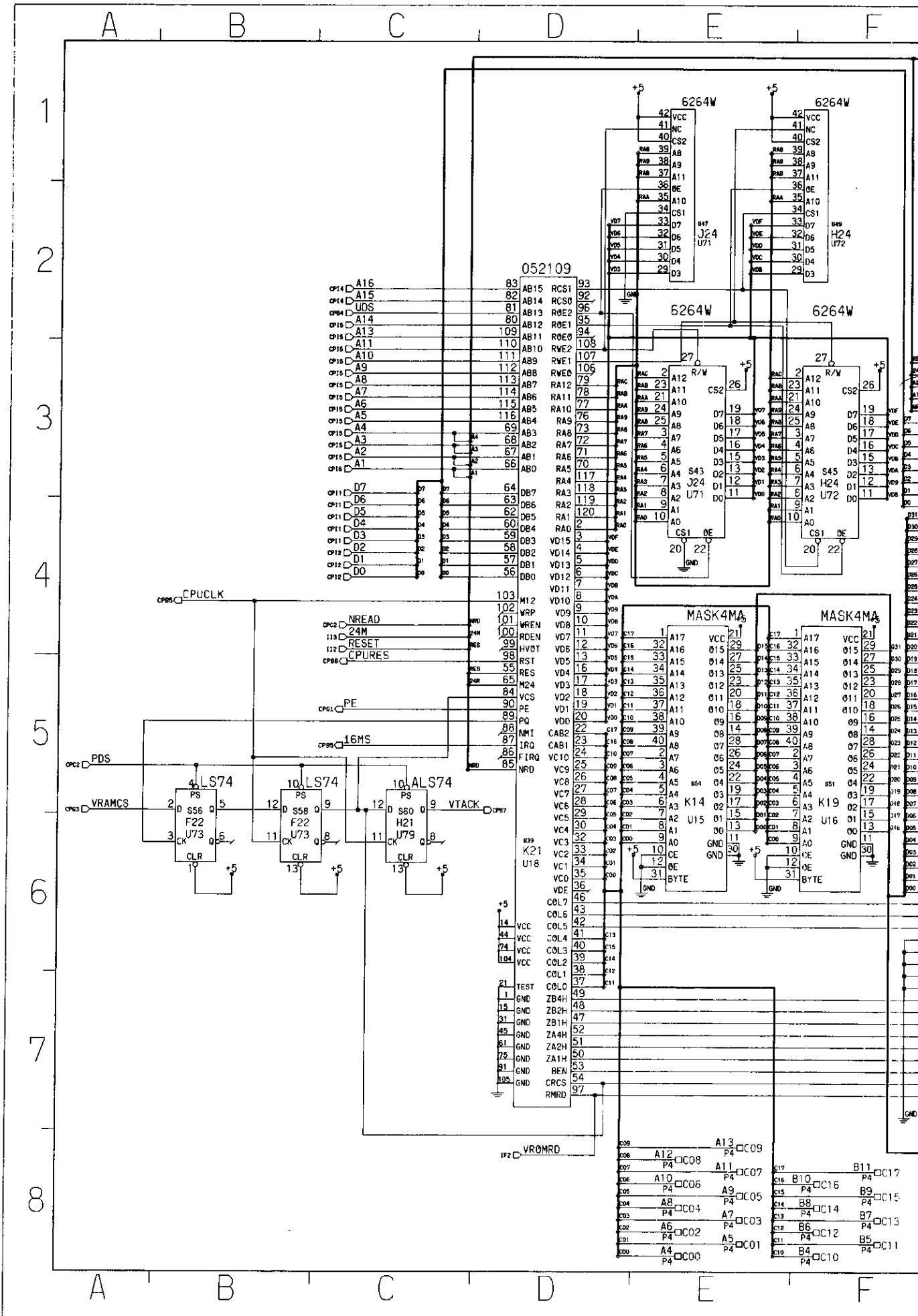
NOTES

1. KINDS OF CAPACITOR
 E: ELECTROLYTIC
 M: MYLAR
 T: TANTALUM
 C: CERAMIC

2. KINDS OF CONNECTOR
 JAMMA □ JAMMA 56PIN EDGE
 NUMBER: PARTS SIDE
 ALFABET: SÖLDRE SIDE
 (/A/ IS SMALL LETTER)

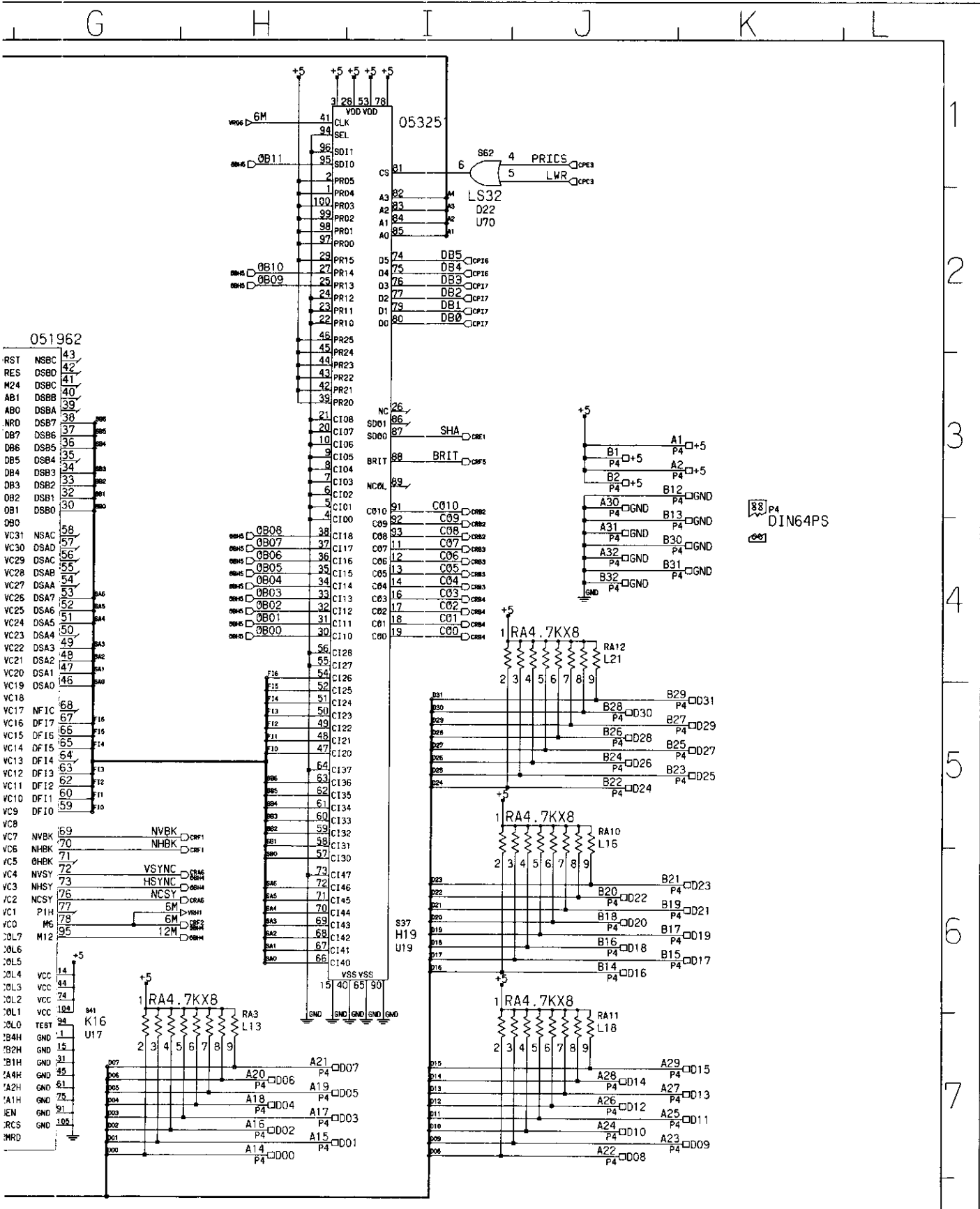
- 1P □ CN1 (VSYNC)
- 2P □ D1N64P (D/A)
- 3P □ D1N64P (OBJ)
- 4P □ D1N64P (VRAM)
- 6P □ NHCN4P (STEREO)

				KONAMI INDUSTRY CO., LTD.		REG. TYPE		CPU SCHEMATIC DIAGRAM	
						DESIGN		DRAW	
RELEASE DATE		89. 10. 30		NAME		GX939 PWB351905A			
SCALE		TOLERANCE		CODE NO.		351925 1/6			



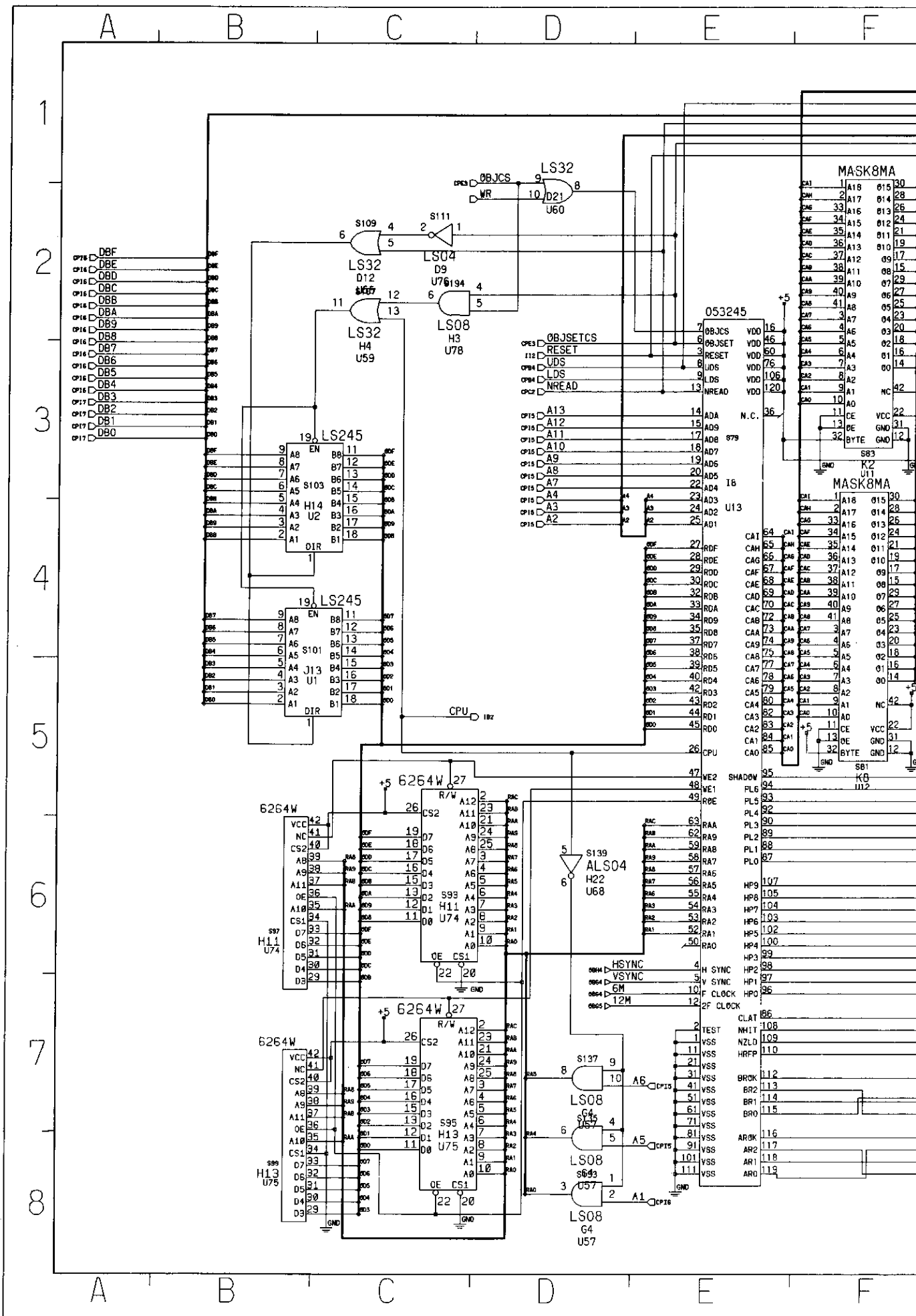
CP14	A16	83	AB15	RCS1	93
CP14	A15	82	AB14	RCS0	92
CP14	UDS	81	AB13	ROE2	96
CP14	A14	80	AB12	ROE1	95
CP15	A13	109	AB11	ROE0	94
CP15	A11	110	AB10	RWE2	108
CP15	A10	111	AB9	RWE1	107
CP15	A9	112	AB8	RWE0	106
CP15	A8	113	AB7	RA12	79
CP15	A7	114	AB6	RA11	78
CP15	A6	115	AB5	RA10	77
CP15	A5	116	AB4	RA9	76
CP15	A4	69	AB3	RA8	73
CP15	A3	68	AB2	RA7	72
CP15	A2	67	AB1	RA6	71
CP15	A1	66	AB0	RA5	70
CP11	D7	67	RA4	RA4	117
CP11	D6	66	RA3	RA3	118
CP11	D5	65	RA2	RA2	119
CP11	D4	64	RA1	RA1	120
CP11	D3	63	RA0	RA0	2
CP11	D2	62	VD15	VD15	3
CP12	D1	61	VD14	VD14	4
CP12	D0	60	VD13	VD13	5
		59	VD12	VD12	6
		58	VD11	VD11	7
		57	VD10	VD10	8
		56	VD9	VD9	9
		55	VD8	VD8	10
		54	VD7	VD7	11
		53	VD6	VD6	12
		52	VD5	VD5	13
		51	VD4	VD4	14
		50	VD3	VD3	15
		49	VD2	VD2	16
		48	VD1	VD1	17
		47	VD0	VD0	18
		46	VD0	VD0	19
		45	VD0	VD0	20
		44	VD0	VD0	21
		43	VD0	VD0	22
		42	VD0	VD0	23
		41	VD0	VD0	24
		40	VD0	VD0	25
		39	VD0	VD0	26
		38	VD0	VD0	27
		37	VD0	VD0	28
		36	VD0	VD0	29
		35	VD0	VD0	30
		34	VD0	VD0	31
		33	VD0	VD0	32
		32	VD0	VD0	33
		31	VD0	VD0	34
		30	VD0	VD0	35
		29	VD0	VD0	36
		28	VD0	VD0	37
		27	VD0	VD0	38
		26	VD0	VD0	39
		25	VD0	VD0	40
		24	VD0	VD0	41
		23	VD0	VD0	42
		22	VD0	VD0	43
		21	VD0	VD0	44
		20	VD0	VD0	45
		19	VD0	VD0	46
		18	VD0	VD0	47
		17	VD0	VD0	48
		16	VD0	VD0	49
		15	VD0	VD0	50
		14	VD0	VD0	51
		13	VD0	VD0	52
		12	VD0	VD0	53
		11	VD0	VD0	54
		10	VD0	VD0	55
		9	VD0	VD0	56
		8	VD0	VD0	57
		7	VD0	VD0	58
		6	VD0	VD0	59
		5	VD0	VD0	60
		4	VD0	VD0	61
		3	VD0	VD0	62
		2	VD0	VD0	63
		1	VD0	VD0	64

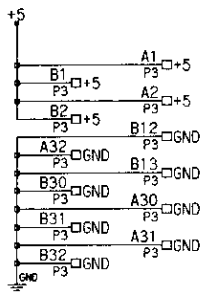
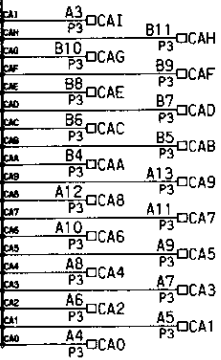
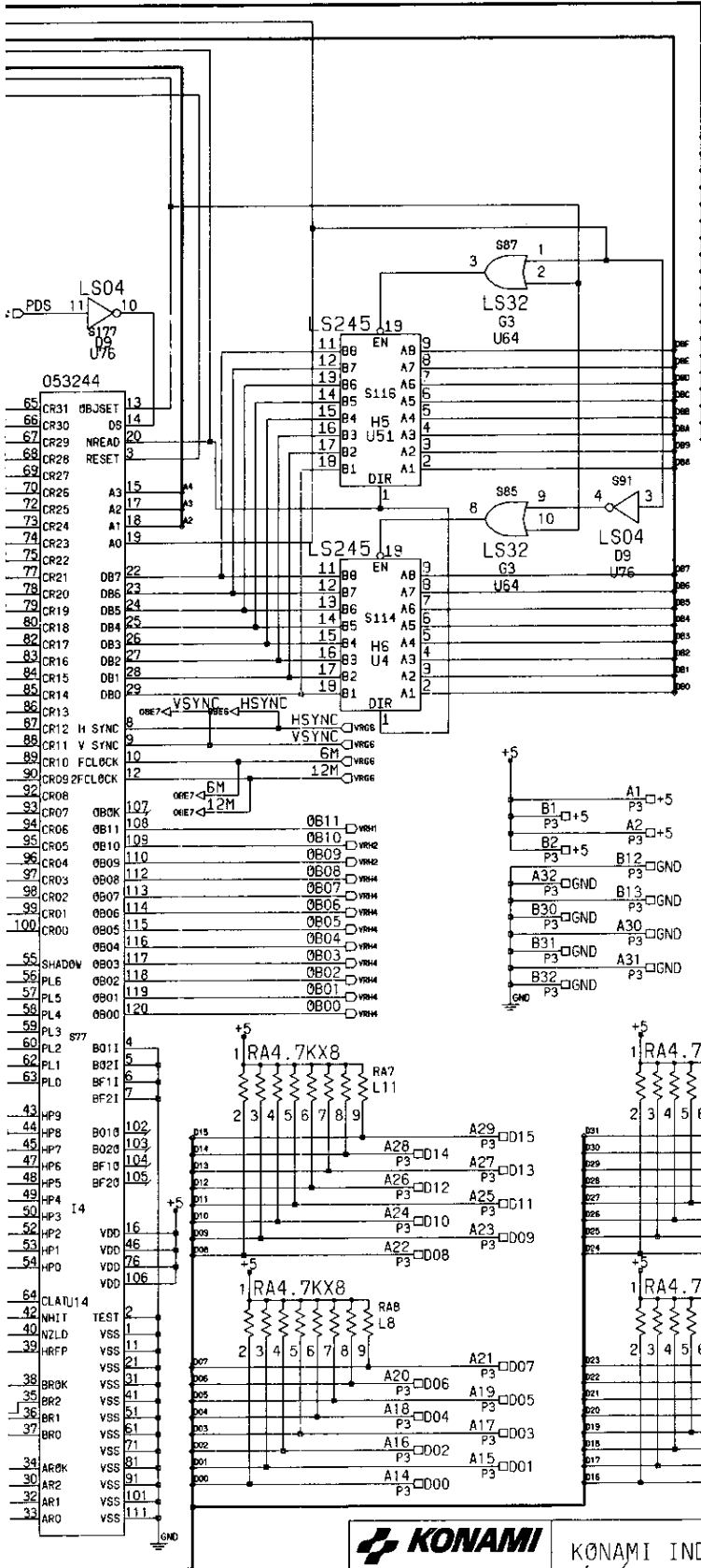
809	A13	OC09	C17	B10	OC17
807	A12	OC08	C16	B9	OC16
806	A11	OC07	C15	B8	OC15
805	A10	OC06	C14	B7	OC14
804	A9	OC05	C13	B6	OC13
803	A8	OC04	C12	B5	OC12
802	A7	OC03	C11	B4	OC11
801	A6	OC02	C10	B3	OC10
800	A5	OC01	C9	B2	OC09
	A4	OC00	C8	B1	OC08



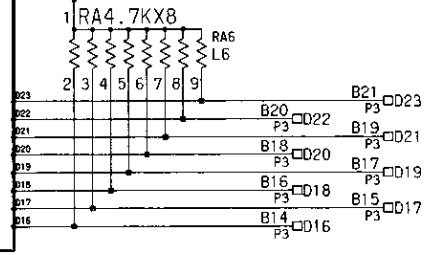
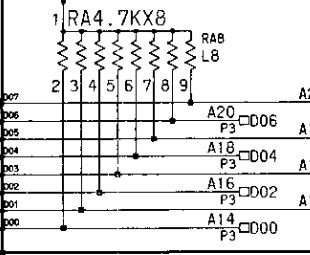
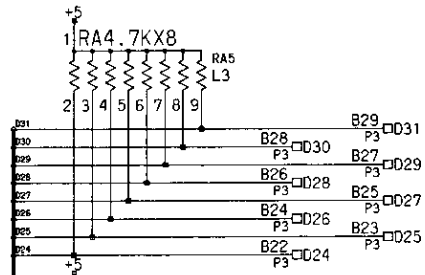
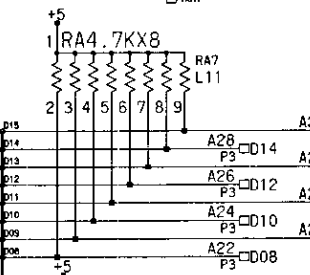
KONAMI				KONAMI INDUSTRY CO.,LTD.		REG. TYPE	VRAM SCHEMATIC DIAGRAM
DESIGN	DRAW	CHECK	APPROVE	RELEASE DATE	89. 10. 30	NAME	GX939 PWB351905A
			SCALE	TOLE-RANCE		CODE NO.	351925 2/6

1
2
3
4
5
6
7
8

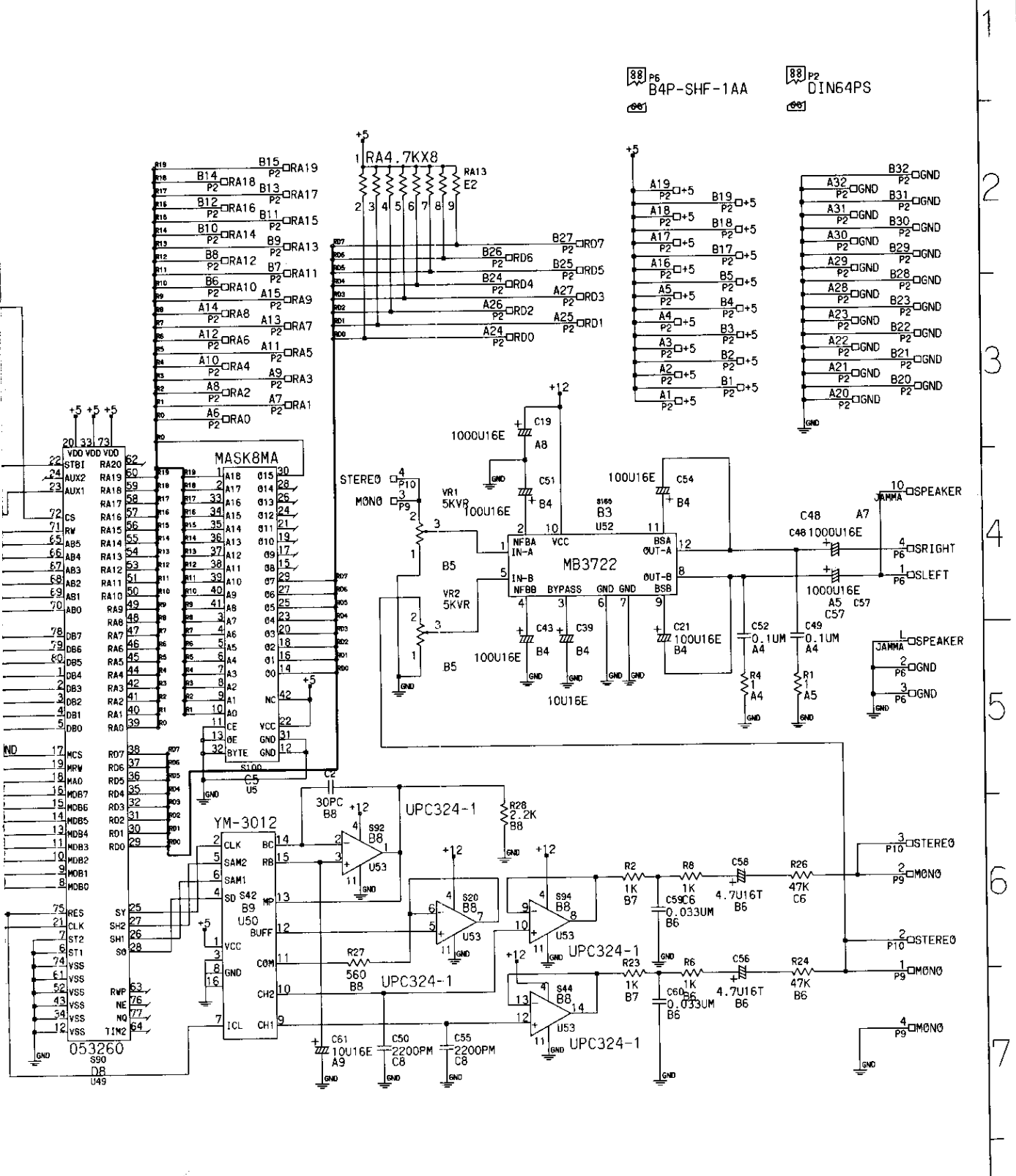




88 P3 DING6PS



KONAMI				KONAMI INDUSTRY CO., LTD.		REG. TYPE	OBJ
DESIGN	DRAW	CHECK	APPROVE	RELEASE DATE	89.10.30	NAME	GX939 PWB351905A
				SCALE	TOLE-RANCE	CODE NO.	351925 3/6



P6 B4P-SHF-1AA
 P2 DIN64PS

				KONAMI INDUSTRY CO., LTD.		REG. TYPE	SOUND SCHEMATIC DIAGRAM
DESIGN	DRAW	CHECK	APPROVE	RELEASE DATE	89.10.30	NAME	GX939 PWB351905A
				SCALE	TOLERANCE	CODE NO.	351925 6/6