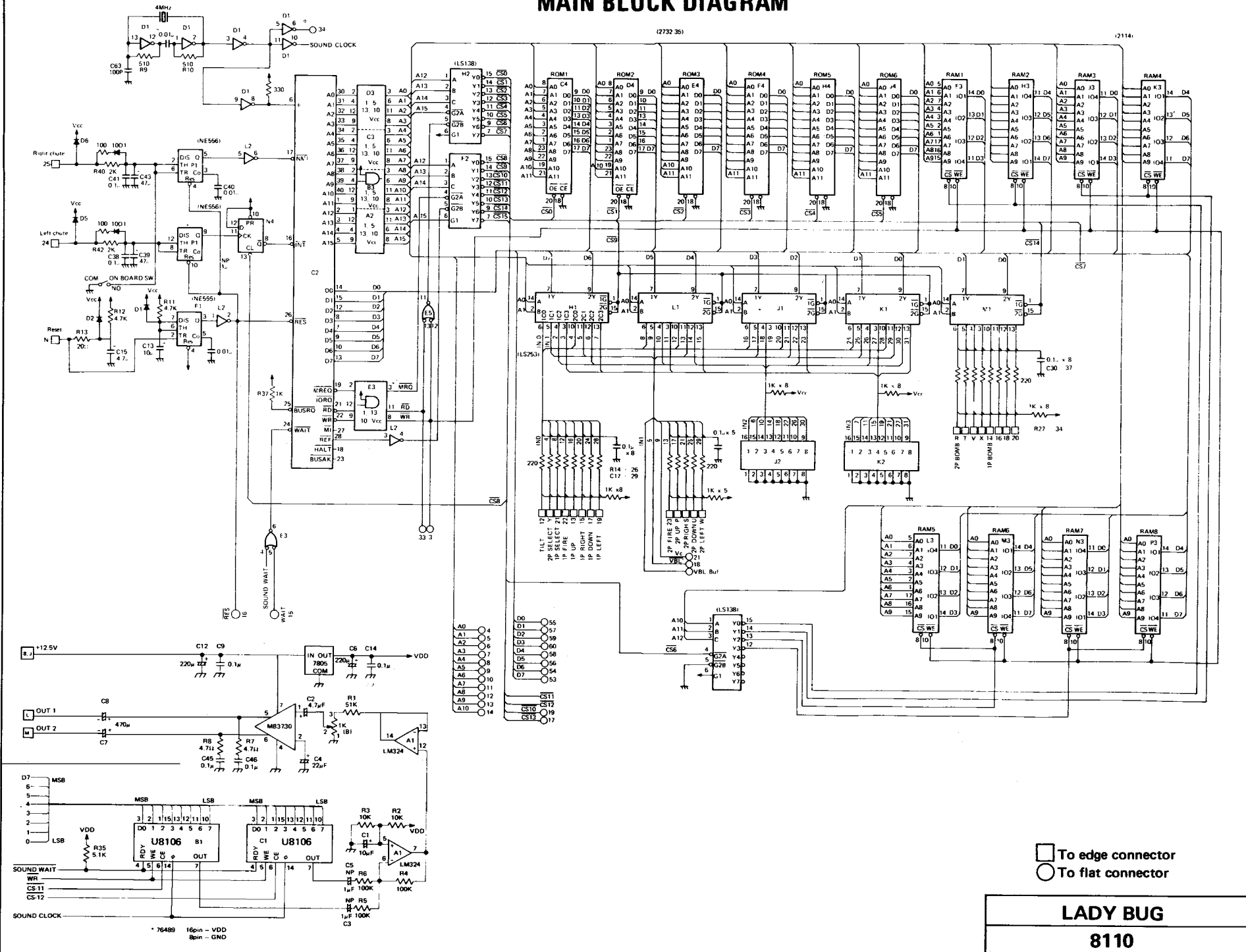
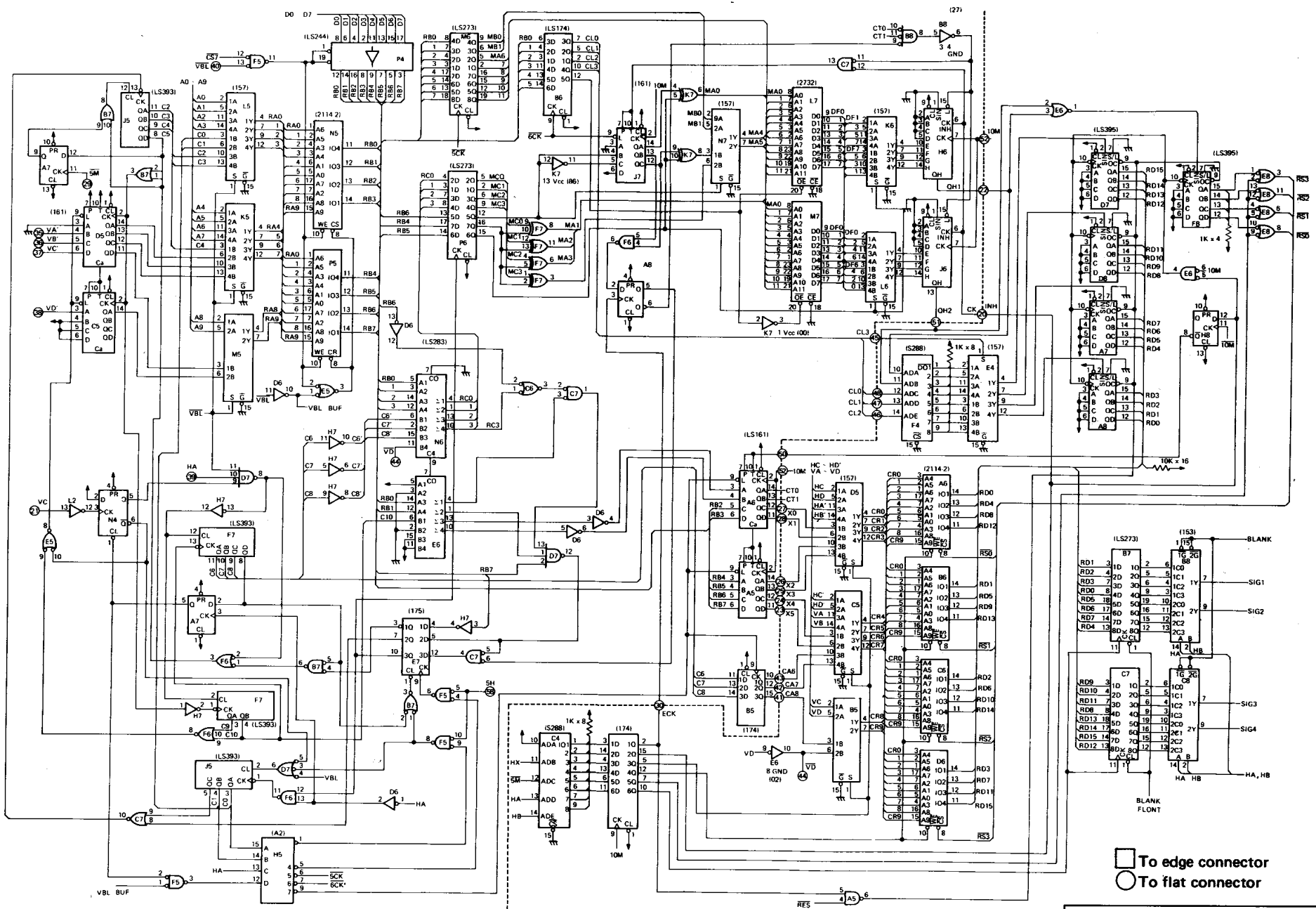


# MAIN BLOCK DIAGRAM



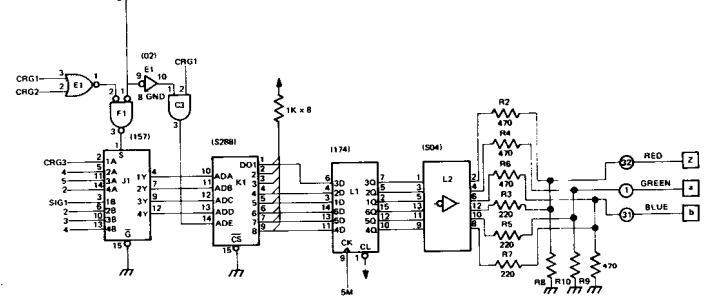
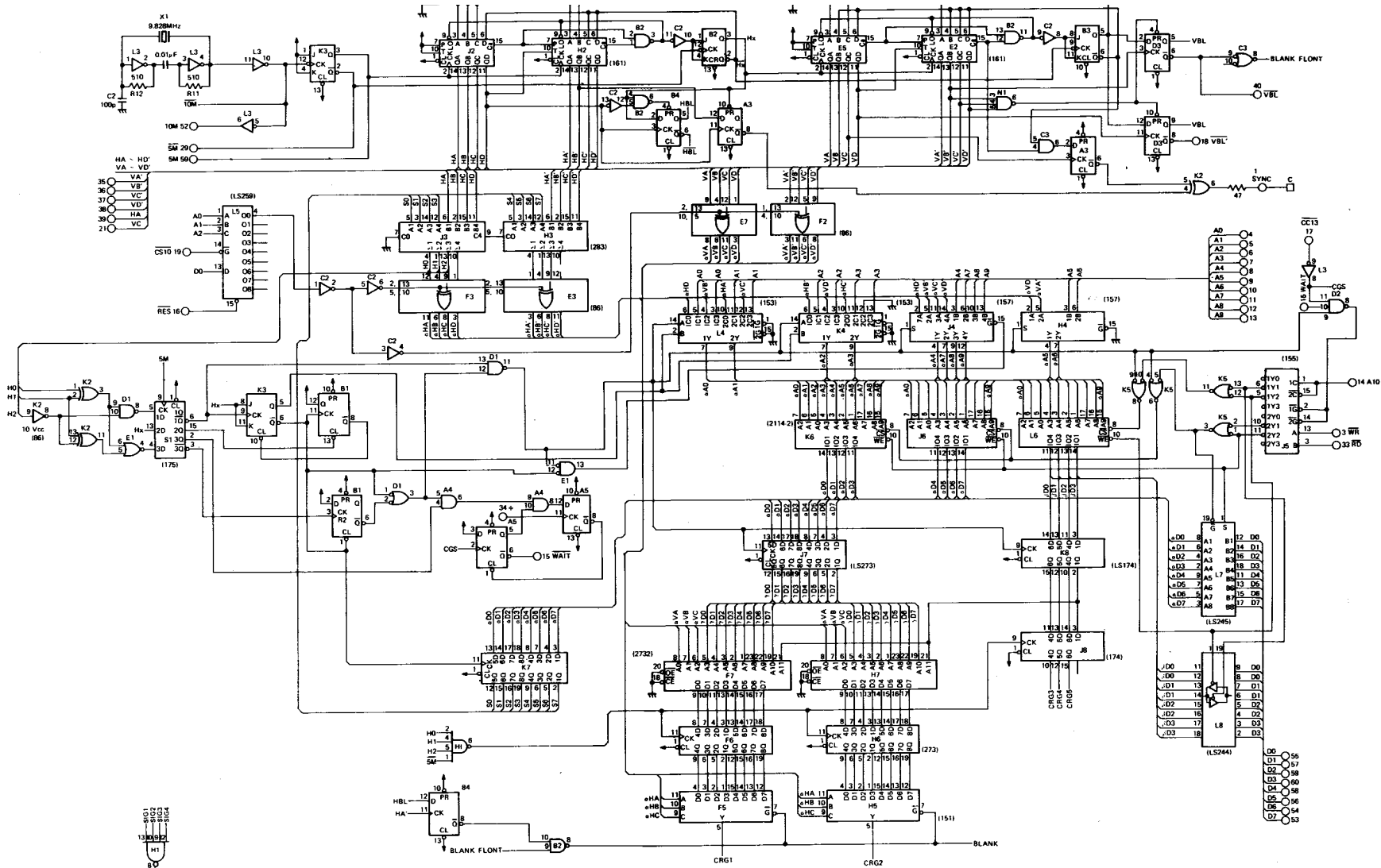
□ To edge connector  
○ To flat connector

**LADY BUG**  
**8110**



To edge connector  
 To flat connector

**LADY BUG**  
**8110**



- To edge connector
- To flat connector

**LADY BUG**  
**8110**

1	2	3	4	5	6	7	8	9	10	11	12	13	14	15	16	17	18	19	20	21	22	23	24	25	26	27	28	29	30	
SYNC	G	WR	A0	A1	A2	A3	A4	A5	A6	A7	A8	A9	A10	WAIT	RES	CS13	VBL	CS10	CK	INH	VC	OH	X5	X4	X3	X2	X0	X1	SM	ECK
B	R	RD	φ	VA	VB	VC	VD	HA	VBL	CAB	CA7	CAB	VD	CL3	CL2	CL1	CL0	SM	EN	OH2	10M	D7	D6	D0	D5	D4	D1	D4	D2	O3