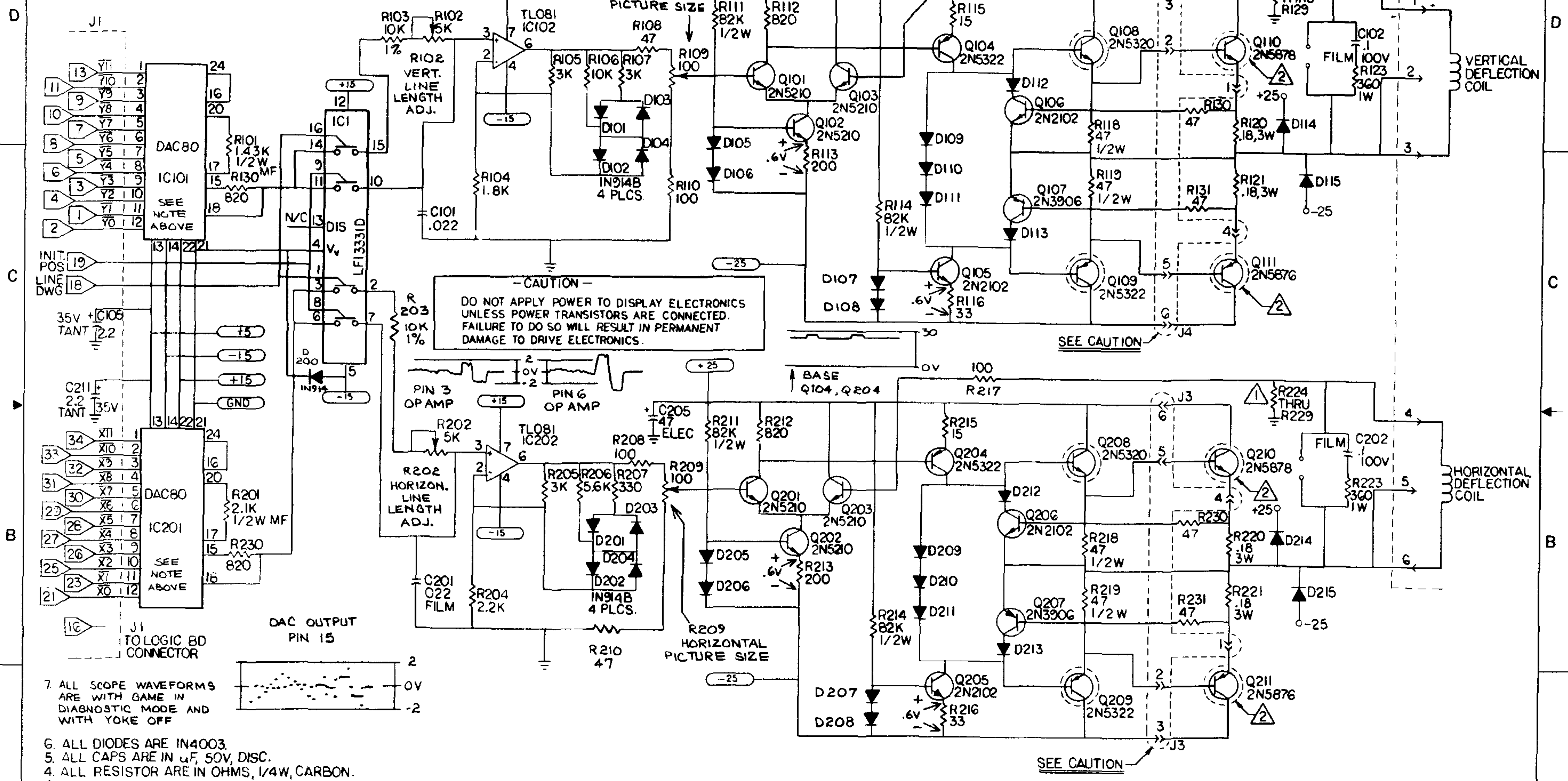


WHEN BECKMAN 7580VS DAC IS UTILIZED FOR IC101 AND IC201:
 R101 CHANGED TO 11.0K 1% METAL FILM
 R201 CHANGED TO 7.5K 1% METAL FILM
 BECKMAN DAC NOT COMPATIBLE WITH BURR BROWN DAC.

REVISIONS			
REV	DESCRIPTION	DATE	APPROVED



CAUTION
 DO NOT APPLY POWER TO DISPLAY ELECTRONICS UNLESS POWER TRANSISTORS ARE CONNECTED. FAILURE TO DO SO WILL RESULT IN PERMANENT DAMAGE TO DRIVE ELECTRONICS.

7. ALL SCOPE WAVEFORMS ARE WITH GAME IN DIAGNOSTIC MODE AND WITH YOKE OFF

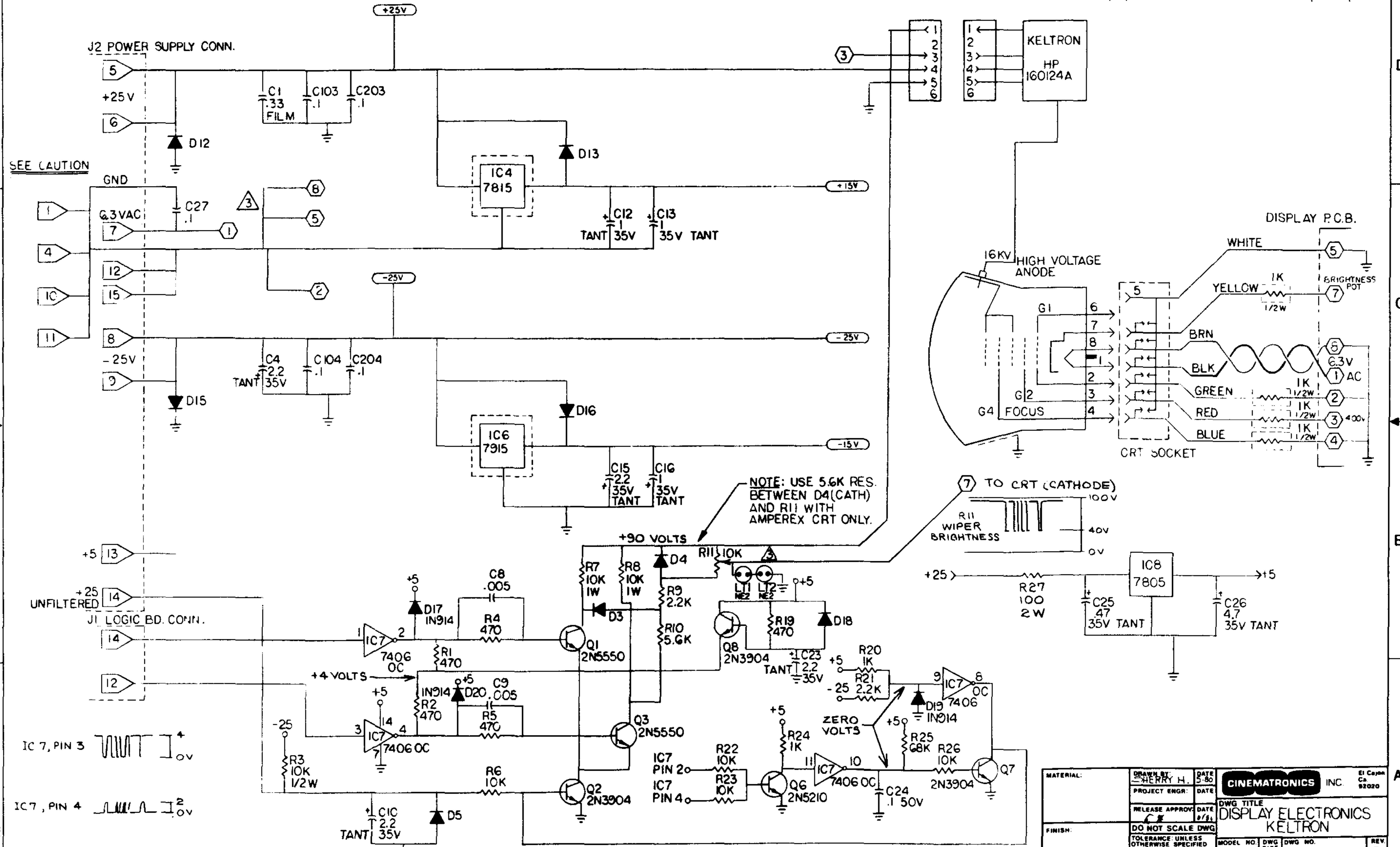
- 6. ALL DIODES ARE IN4003.
- 5. ALL CAPS ARE IN μ F, 50V, DISC.
- 4. ALL RESISTOR ARE IN OHMS, 1/4W, CARBON.

- 3. SOLDER POINTS ON P.C. BOARD.
- 2. POWER TRANSISTORS ARE MOUNTED ON HEATSINKS & ARE SEPARATE FROM P.C. BOARD. (DWG.# SD100214).
- 1. R124-R129 & R224-R229 ARE COMPOSED OF 6 EACH 2.7 Ω , 1W, RESISTORS IN PARALLEL.

NOTES: UNLESS OTHERWISE SPECIFIED

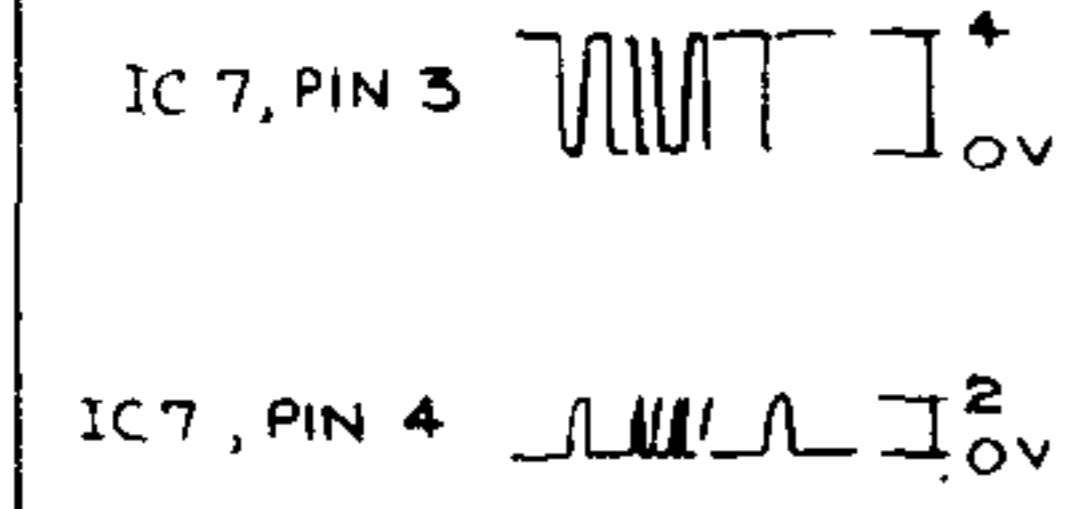
MATERIAL:	DRAWN BY: SHERRY H	DATE: 5-80	CINEMATRONICS INC. El Cajon, Ca. 92020
	PROJECT ENGR: DATE:		
	RELEASE APPROV: DATE: 5/80		DWG TITLE: DISPLAY ELECTRONICS KELTRON
	DO NOT SCALE DWG		MODEL NO. DWG NO. DWG NO. REV.
	TOLERANCE: UNLESS OTHERWISE SPECIFIED		72-10628-02 G
	PROJECTION: SCALE:		CODE IDENT. SHEET 1 OF 2

REVISIONS			
REV	DESCRIPTION	DATE	APPROVED



SEE CAUTION

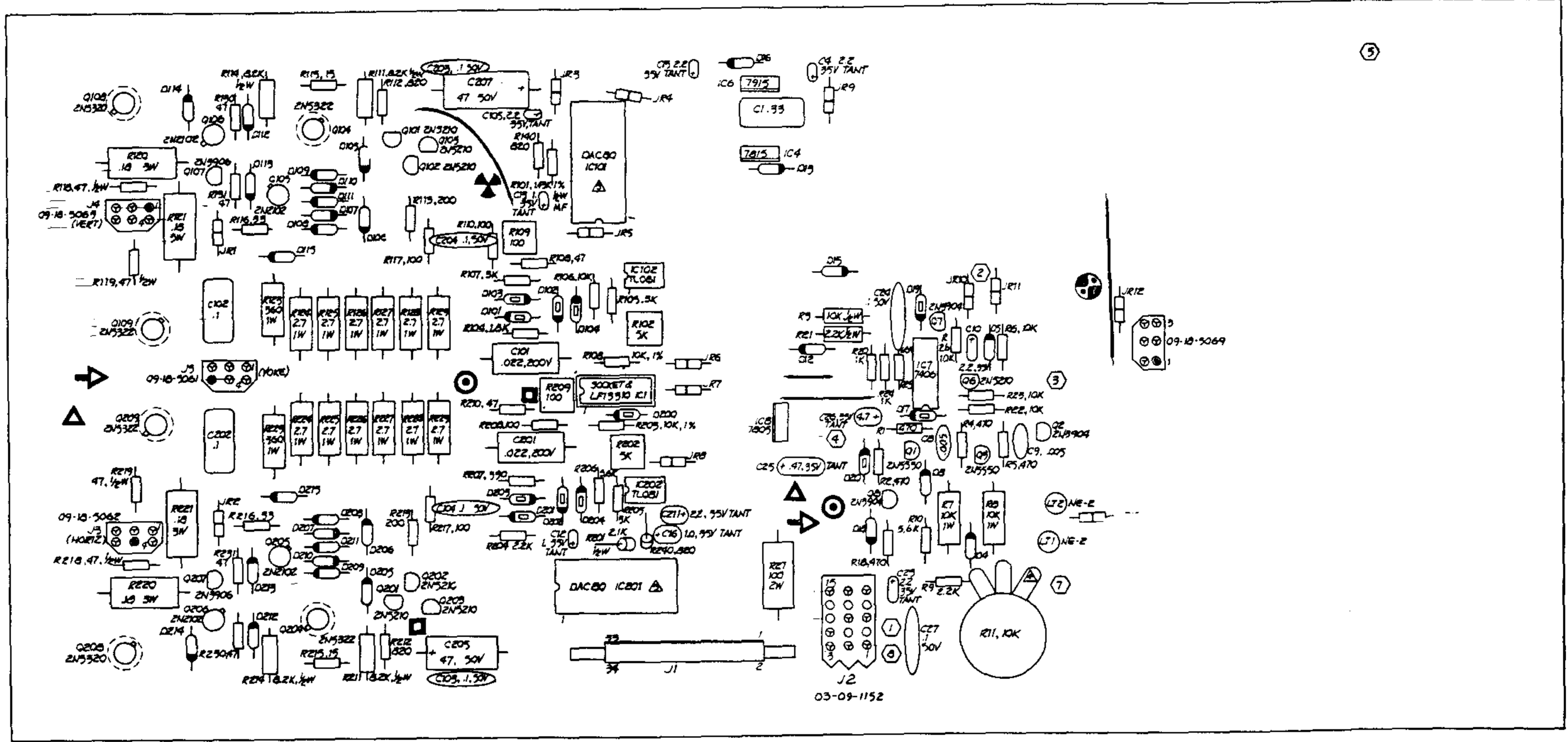
NOTE: USE 5.6K RES. BETWEEN D4(CATH) AND R11 WITH AMPEREX CRT ONLY.



NOTES: UNLESS OTHERWISE SPECIFIED

MATERIAL:	DRAWN BY: SHERRY H.	DATE: 5-80	CINEMATONICS INC El Cajon Ca 92020
	PROJECT ENGR:	DATE:	
FINISH:	RELEASE APPROV:	DATE: 8/81	DWG TITLE DISPLAY ELECTRONICS KELTRON
	DO NOT SCALE DWG		
TOLERANCE: UNLESS OTHERWISE SPECIFIED		MODEL NO. DWG NO. SIZE D 72-10628-02	REV. G
PROJECTION: 1st ANGLE		SCALE:	CODE IDENT. SHEET 2 OF 2

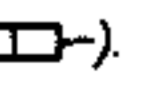
DRAWING NO. 21-00231



REQUIRED JUMPERS			
SYM	SIZE/TYPE	COLOR	QTY
⊕	22AWG	BRN	2"
⊞	22AWG	BRN	3 1/4"
⊙	18AWG	BLK	4 3/4"
⊕	18AWG	RED	9"
⊞	18AWG	BLU	9"

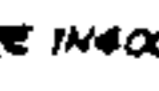
CRT SOCKET CONNECTIONS			
SYM	SIZE/TYPE	COLOR	LENGTH
①	18AWG	BLK	10 1/4"
②	18AWG	GRN	15"
③	18AWG	RED	12"
④	18AWG	BLU	11 1/2"
⑤	18AWG	WHT	15"
⑦	18AWG	YEL	10"
⑧	18AWG	BRN	10 1/4"

TWIST BRN & BLK WIRES TOGETHER

6. J1 - JUMPER RES. (ZERO OHM, )

⊕ BECKMAN 7580 VS DAC-13 UTILIZED FOR IC801 & IC801:
 J101 CHANGE TO 7.5K 1% METAL FILM. (BECKMAN DAC NOT COMPATIBLE)
 R201 CHANGE TO 11.0K 1% METAL FILM. WITH BURR BROWN DAC.

⊕ INSTALL 5.6K 1/4W RES. ON CREDIT SIDE OF BOARD WHEN AMPEREX CRT IS INSTALLED.

3. DIODES MARKED  ARE IN914. ALL OTHERS ARE IN4007.

2. ALL RES. VALUES ARE IN OHMS 1/4W 5% CARBON.

1. ALL CAPS VALUES ARE IN μF.

NOTES: UNLESS OTHERWISE SPECIFIED.

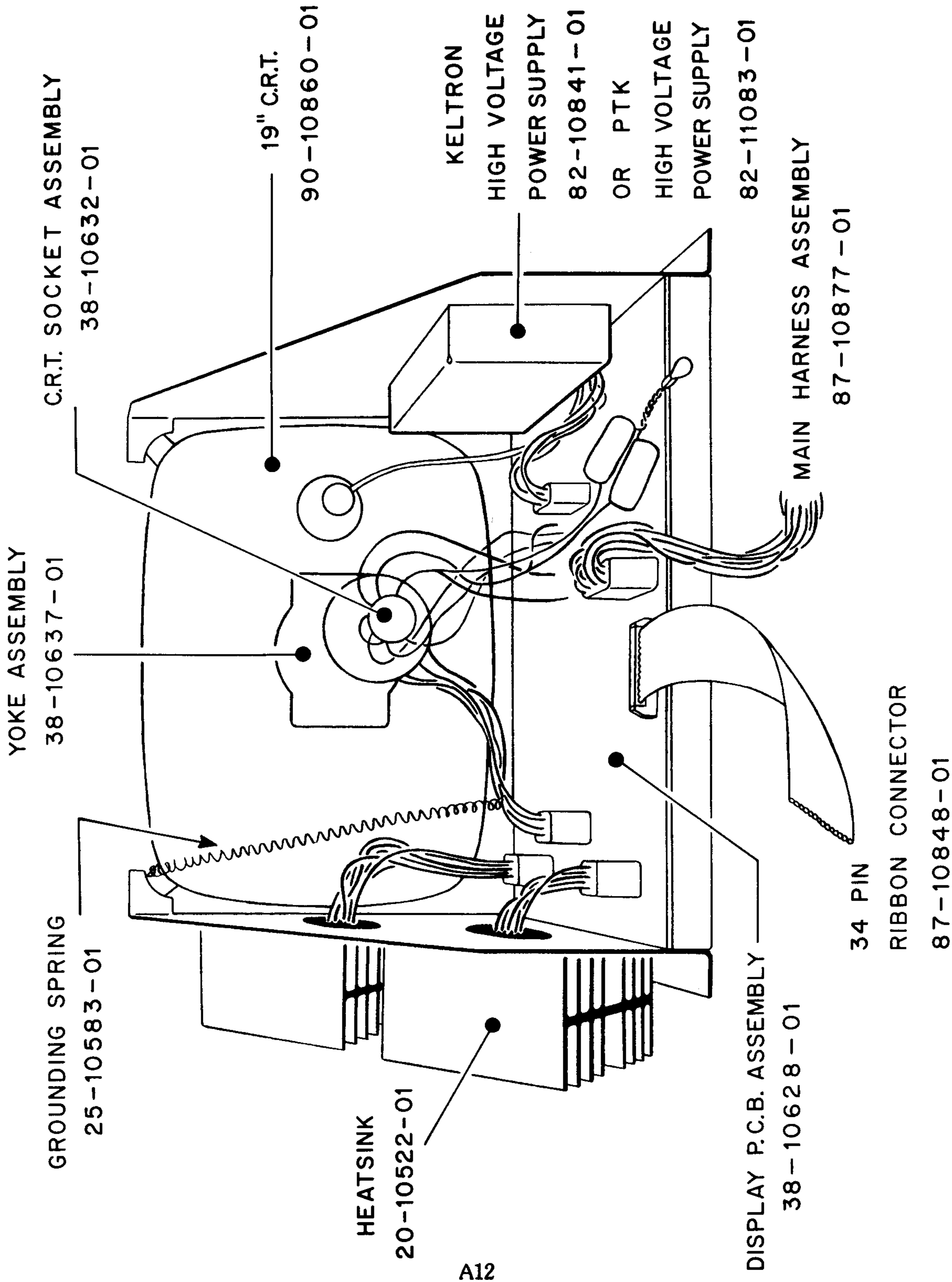
MATERIALS	GROUP BY	DATE	CINEMATRONICS INC.
	PROJECT OVER	DATE	
FINISH	RELEASE APPROV	DATE	DRAW TITLE DISPLAY PCB ASSY. (KELTRON)
	DO NOT SCALE DIMS	DATE	
TOLERANCE UNLESS OTHERWISE SPECIFIED		ISSUE NO	ISSUE TO
PROJECTION	SCALE	DATE	72-10623-01 K
NAME	ROOM	DATE	SHEET 1 OF 1

MONITOR ASSEMBLY (KELTRON)

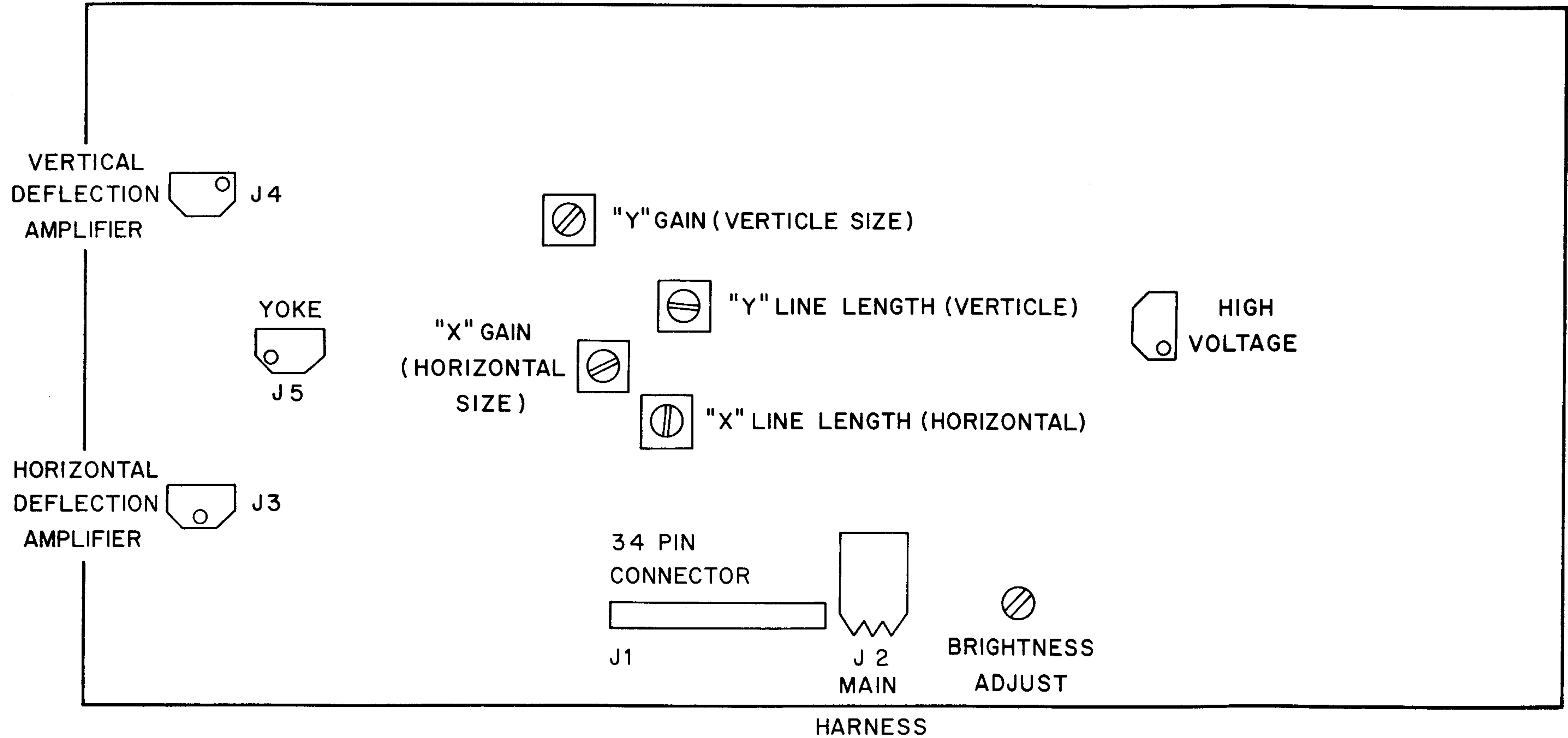
38-10633-01

MONITOR ASSEMBLY (PTK)

38-11207-01

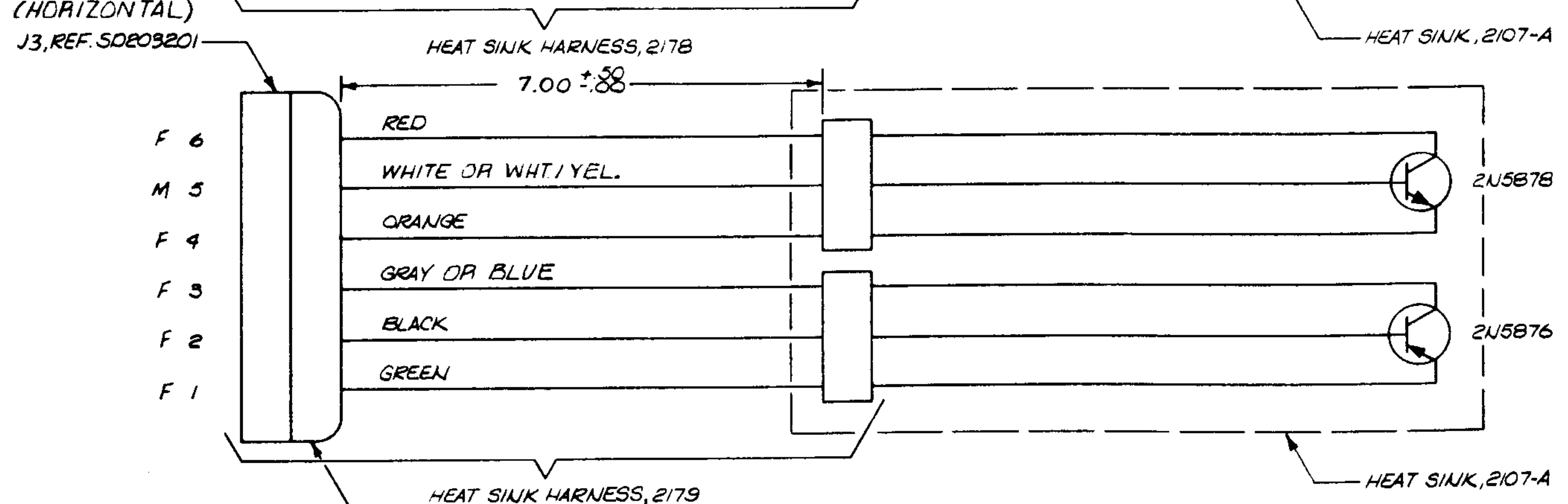
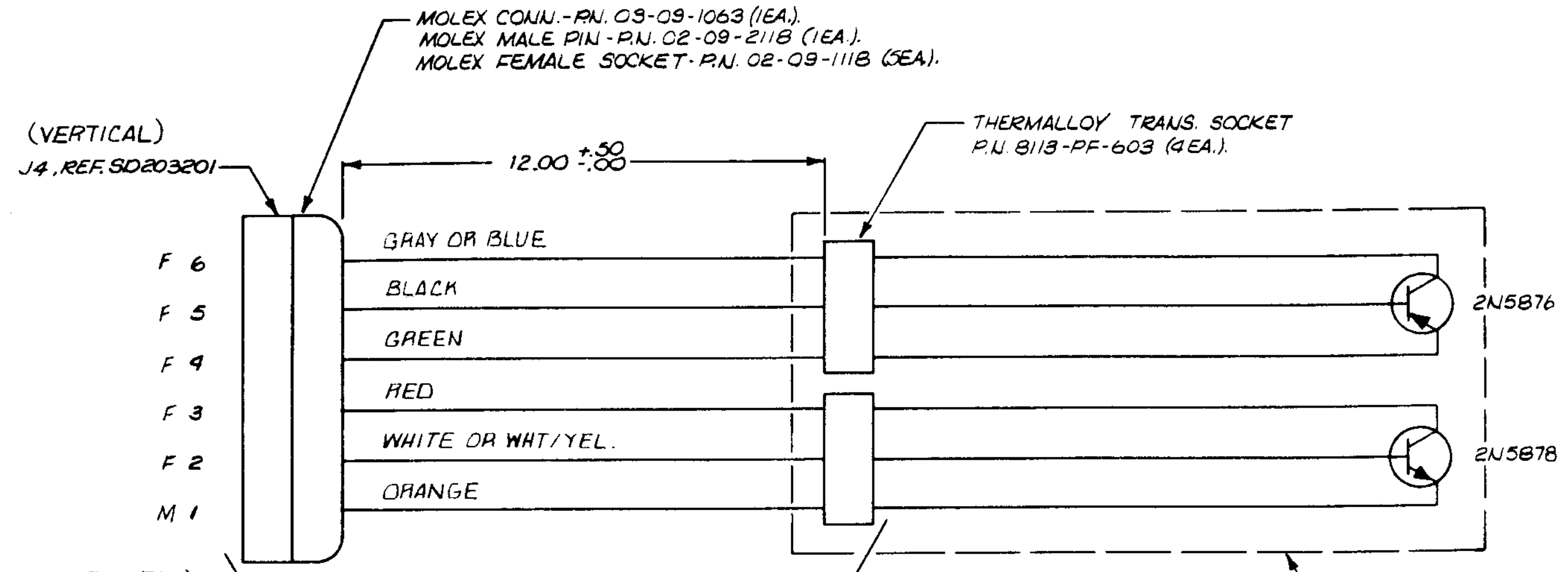


A13



DISPLAY P.C.B. CONNECTORS AND ADJUSTMENTS

REVISIONS			
REV	DESCRIPTION	DATE	APPROVED
B	PER ECR 058	9 MAY 82	<i>[Signature]</i>



MOLEX CONN. - P.N. 03-09-1063 (1EA.)
 MOLEX MALE PIN - P.N. 02-09-2118 (1EA.)
 MOLEX FEMALE SOCKET - P.N. 02-09-1118 (5EA.)

THERMALLOY TRANS. SOCKET
 P.N. 8113-PF-603 (4EA.)

(VERTICAL)
 J4, REF. SD203201

(HORIZONTAL)
 J3, REF. SD203201

HEAT SINK HARNESS, 2178

HEAT SINK, 2107-A

HEAT SINK HARNESS, 2179

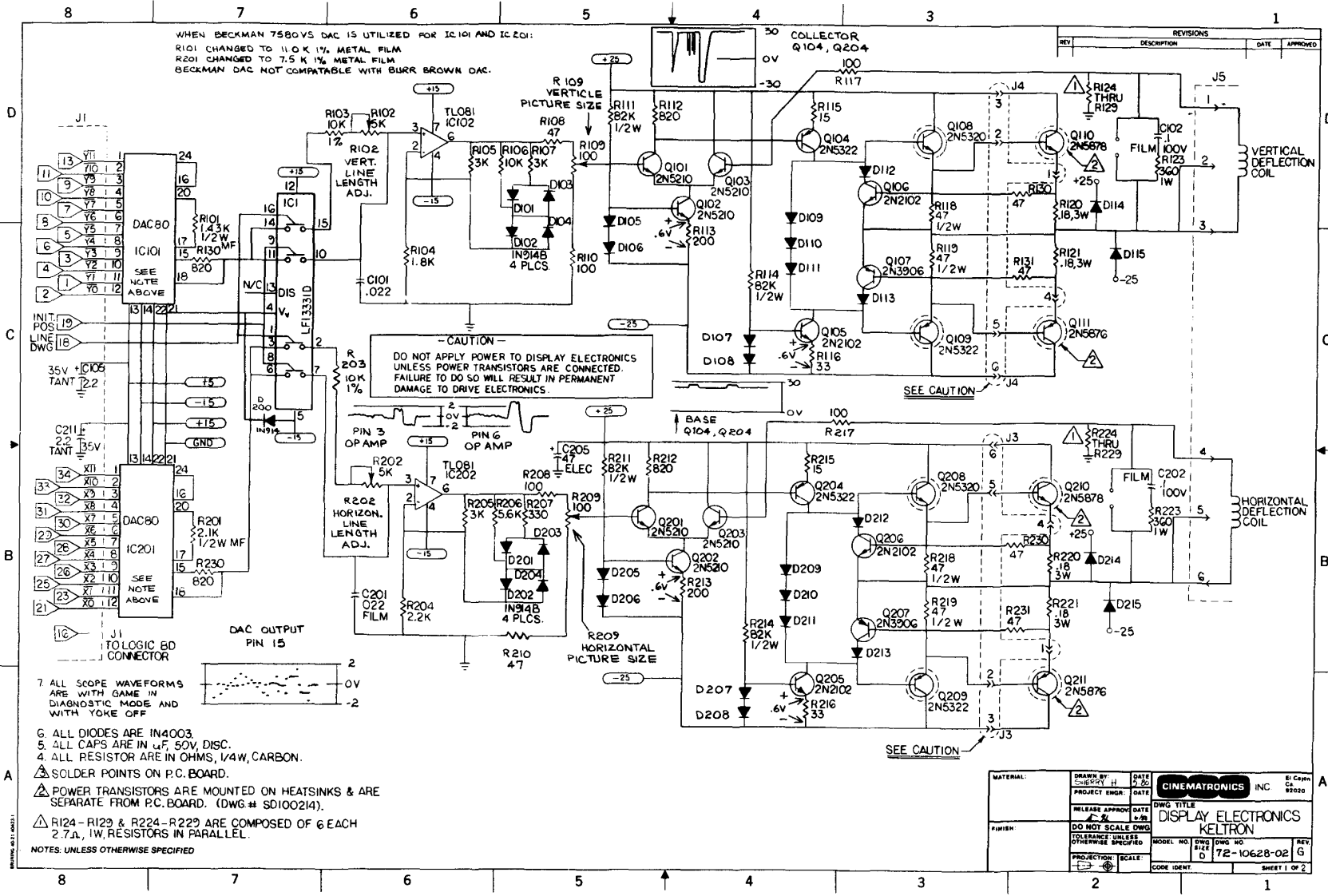
HEAT SINK, 2107-A

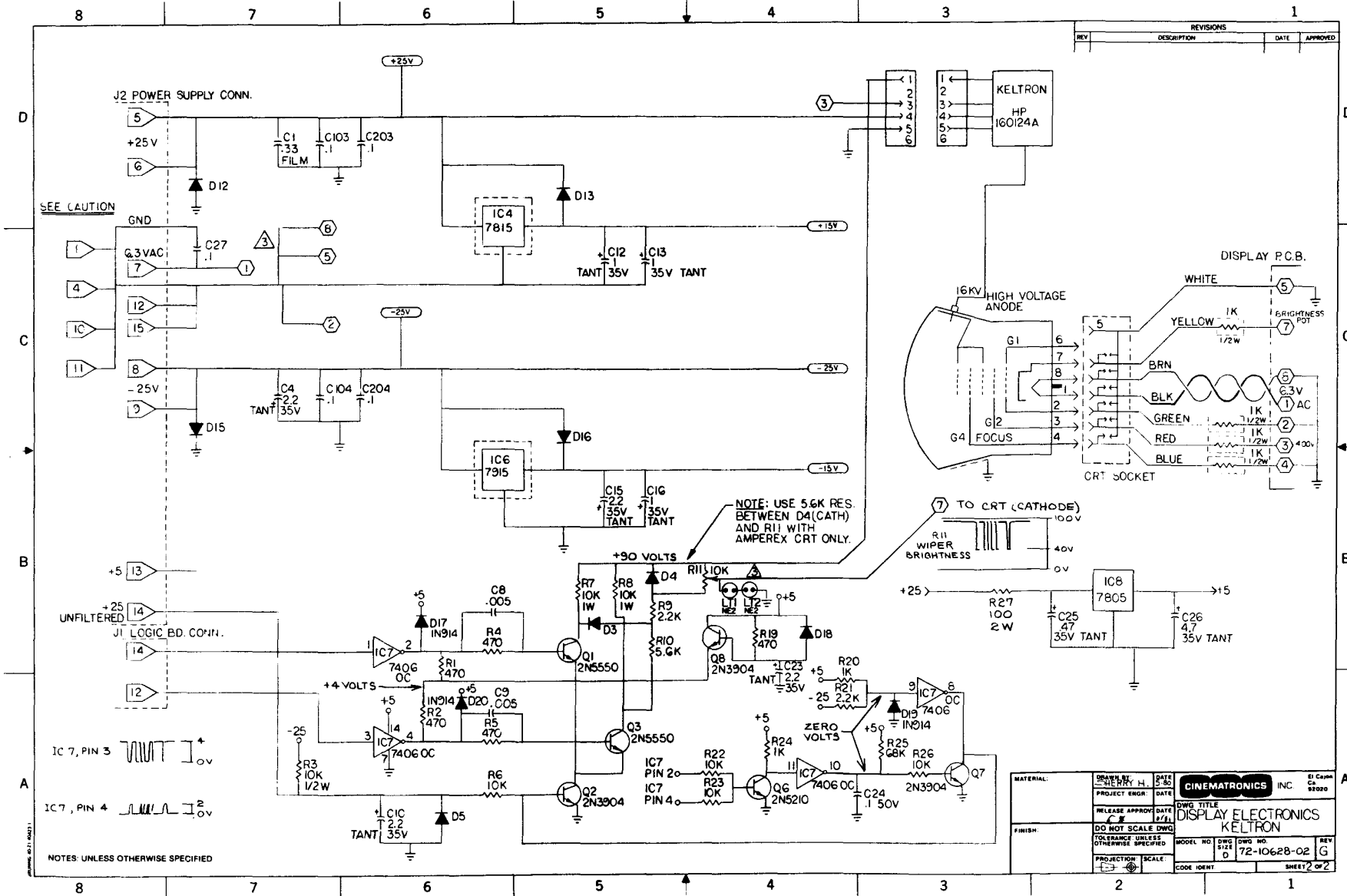
MOLEX CONN. - P.N. 03-09-1063 (1EA.)
 MOLEX MALE PIN - P.N. 02-09-2118 (1EA.)
 MOLEX FEMALE SOCKET - P.N. 02-09-1118 (5EA.)

NOTES: UNLESS OTHERWISE SPECIFIED

MATERIAL:	DRAWN BY: <i>A. Thacker</i>	DATE 3-79		El Cajon Ca. 92020
	PROJECT ENGR: <i>C. Williams</i>	DATE 3-79		
FINISH: BREAK ALL SHARP EDGES AND DEBURR ALL HOLES.	RELEASE APPROV: <i>CEJ</i>	DATE 3-79	DWG TITLE <i>SCHEMATIC, VERTICAL & HORIZONTAL HEAT SINK ASSY.</i>	
	DO NOT SCALE DWG		MODEL NO.	DWG NO.
TOLERANCE: UNLESS OTHERWISE SPECIFIED		SCALE: NONE	DWG SIZE C	72-10969-01
PROJECTION: 		SCALE: NONE	REV. B	
CODE IDENT.			SHEET / OF /	

DRAWING 40-21 40423





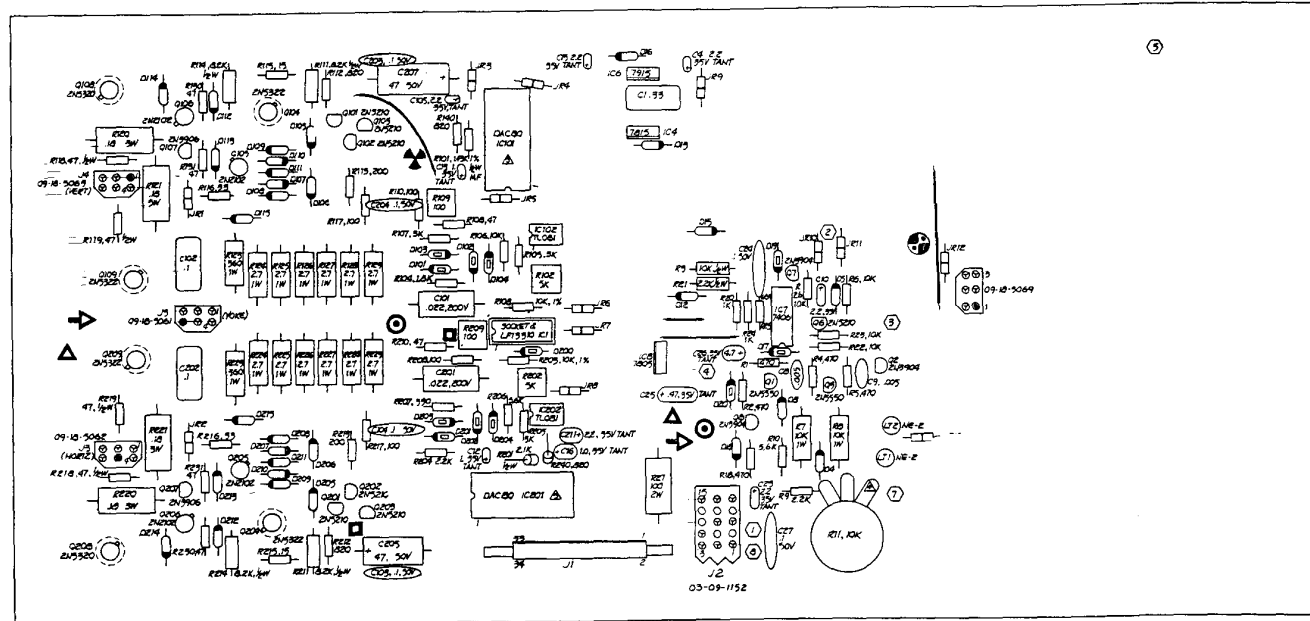
REVISIONS			
REV	DESCRIPTION	DATE	APPROVED

NOTE: USE 5.6K RES. BETWEEN D4 (CATH) AND R11 WITH AMPEREX CRT ONLY.

SEE CAUTION

NOTES: UNLESS OTHERWISE SPECIFIED

MATERIAL:	DRAWN BY: J. H. H.	DATE: 5-80	CINEMATRONICS INC. EL Cajon Ca 92020
FINISH:	PROJECT ENGR: C.E.	DATE: 12-71	
RELEASE APPROV: C.E.		DATE: 12-71	DWG TITLE: DISPLAY ELECTRONICS
DO NOT SCALE DWG			KELTRON
TOLERANCE UNLESS OTHERWISE SPECIFIED			MODEL NO: 72-10628-02
PRODUCTION SCALE: 1:1			DWG NO: 72-10628-02
			REV: G



111

SYM	SIZE / TYPE	COLOR	QTY
⊗	22KΩ	BRN	2"
⊙	22KΩ	BRN	3 1/4"
⊚	15KΩ	BLK	4 3/4"
⊛	15KΩ	RED	9"
⊜	15KΩ	BLU	9"

SYM	SIZE / TYPE	COLOR	LENGTH
①	15AWG	BLK	10 1/4"
②	15AWG	GRN	15"
③	15AWG	RED	12"
④	15AWG	BLU	11 1/4"
⑤	15AWG	WHT	15"
⑥	15AWG	BLK	10"
⑦	15AWG	BRN	10 1/4"

THIST GRN/BLK WIRDS TOGETHER

6. J1 - JUMPER RES (ZERO OHM, □-□).

⊗ Δ (HONEYWELL 7500 VS OAC-13 UTILIZED FOR IC81 & IC82)
 RES CHANGE TO 7.5K 1% MEDIAL FLAM. (BECKMAN OAC NOT COMPATIBLE)
 RES CHANGE TO 110K 1% MEDIAL FLAM. WITH BLURK BROWN OAC.

⊚ Δ INSTALL 54K, 1/4W RES. ON CIRCUIT SIDE OF BOARD
 WHEN AMPHIBEX CIRCUIT INSTALLED.

⊛ Δ ODDRES AMHIBEX (⊛) ARE 10KΩ. ALL OTHERS ARE 100Ω.

⊜ Δ ALL RES VALUES ARE IN OHMS UNLESS OTHERWISE SPECIFIED.

⊚ Δ ALL CAP VALUES ARE IN μF.

NOTES: UNLESS OTHERWISE SPECIFIED.

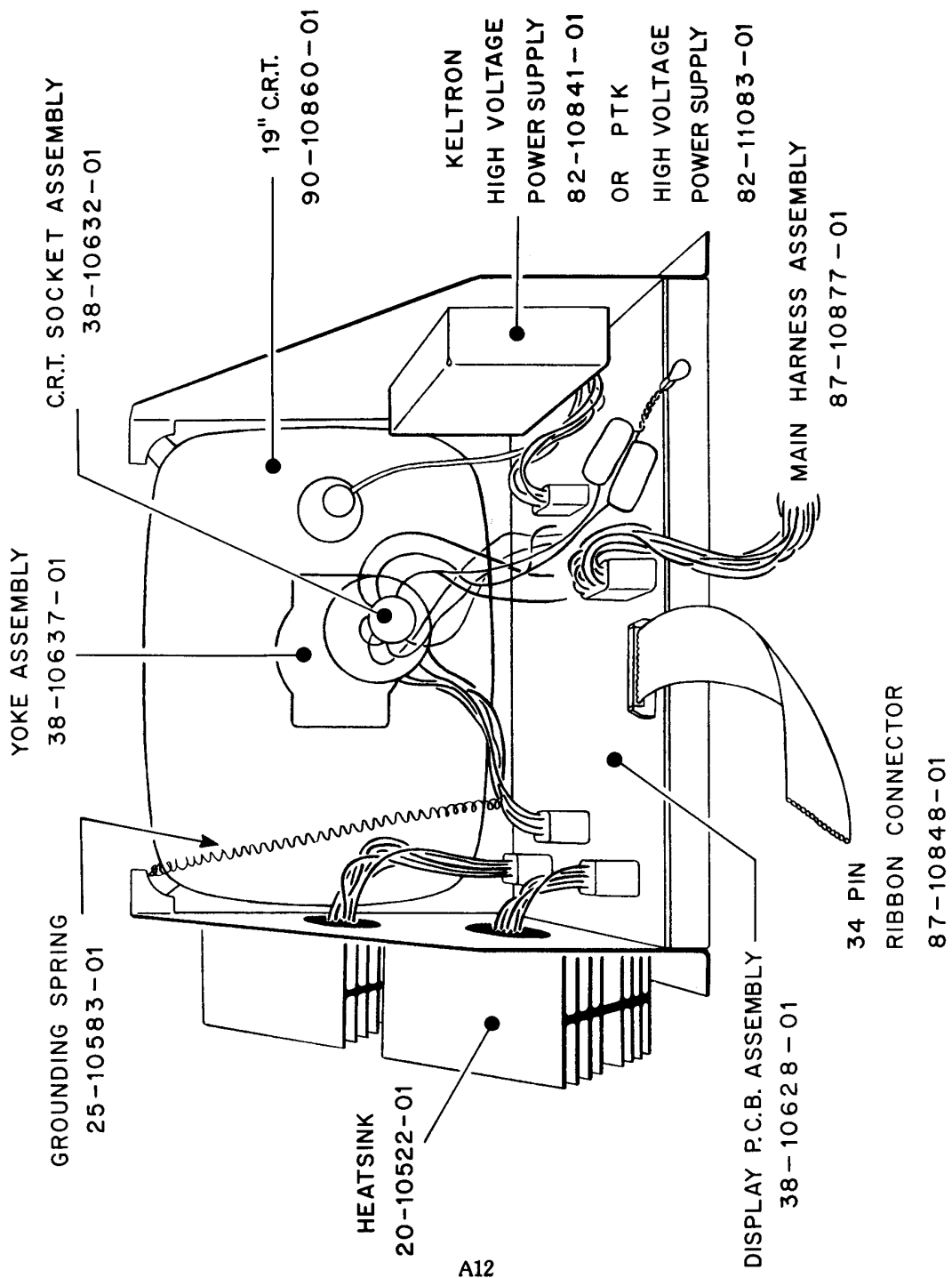
DATE:	REV:	BY:	CHK:	APP:	DATE:	REV:	BY:	CHK:	APP:
CONTROL 72-10628-01 K 111 111					CONTROL 72-10628-01 K 111 111				

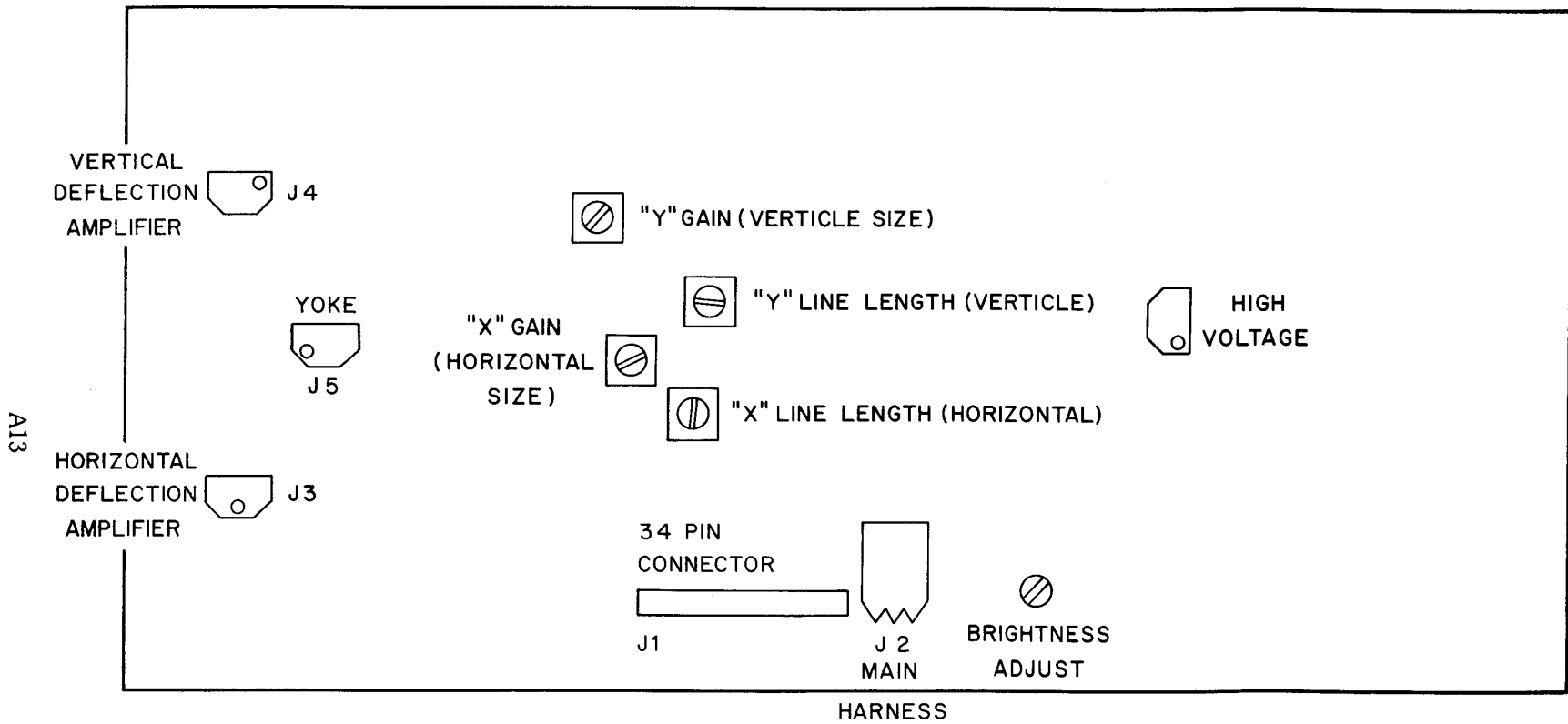
MONITOR ASSEMBLY (KELTRON)

38-10633-01

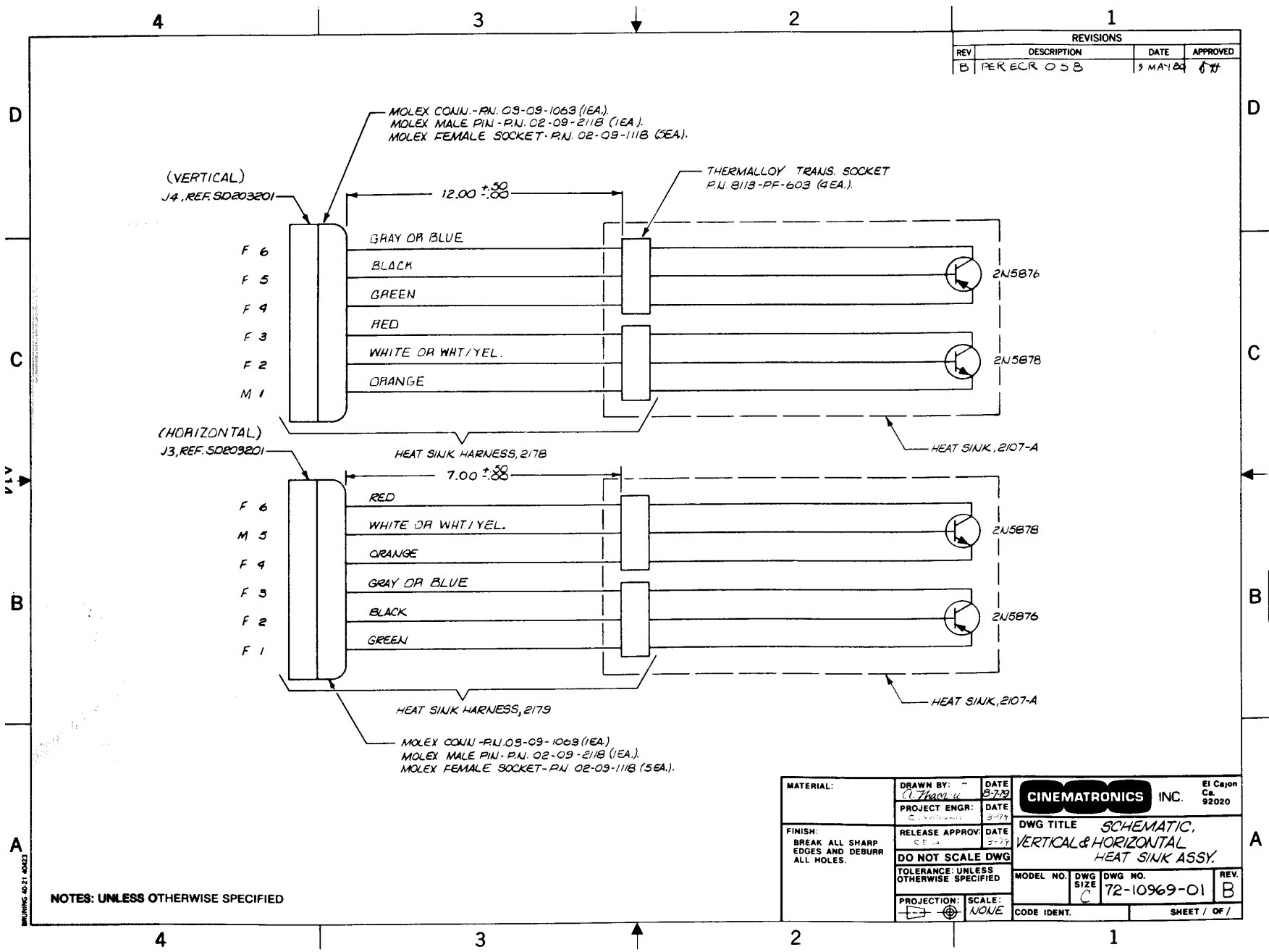
MONITOR ASSEMBLY (PTK)

38-11207-01





DISPLAY P.C.B. CONNECTORS AND ADJUSTMENTS



REVISIONS			
REV	DESCRIPTION	DATE	APPROVED
B	PER ECR 05 B	9 MAY 82	<i>[Signature]</i>

(VERTICAL)
J4, REF. S0203201

(HORIZONTAL)
J3, REF. S0203201

MOLEX CONN. - P/N. 03-09-1063 (1EA.)
MOLEX MALE PIN - P/N. 02-09-2118 (1EA.)
MOLEX FEMALE SOCKET - P/N. 02-09-1118 (3EA.)

THERMALLOY TRANS SOCKET
P/N. 813-PF-603 (4EA.)

HEAT SINK HARNESS, 2178

HEAT SINK HARNESS, 2179

HEAT SINK, 2107-A

HEAT SINK, 2107-A

MOLEX CONN. - P/N. 03-09-1063 (1EA.)
MOLEX MALE PIN - P/N. 02-09-2118 (1EA.)
MOLEX FEMALE SOCKET - P/N. 02-09-1118 (5EA.)

MATERIAL:	DRAWN BY: <i>[Signature]</i>	DATE: 8-7-79	CINEMATRONICS INC.	El Cajon, Ca. 92020
	PROJECT ENGR: <i>[Signature]</i>	DATE: 3-79		
FINISH: BREAK ALL SHARP EDGES AND DEBURR ALL HOLES.	RELEASE APPROV: <i>[Signature]</i>	DATE: 3-79	DWG TITLE: SCHEMATIC, VERTICAL & HORIZONTAL HEAT SINK ASSY.	
	DO NOT SCALE DWG		MODEL NO.	DWG NO. 72-10969-01
	TOLERANCE: UNLESS OTHERWISE SPECIFIED		DWG SIZE: C	REV. B
	PROJECTION: <i>[Symbol]</i>	SCALE: NONE	CODE IDENT.	SHEET / OF /

NOTES: UNLESS OTHERWISE SPECIFIED

DRAWING 40-21 40423