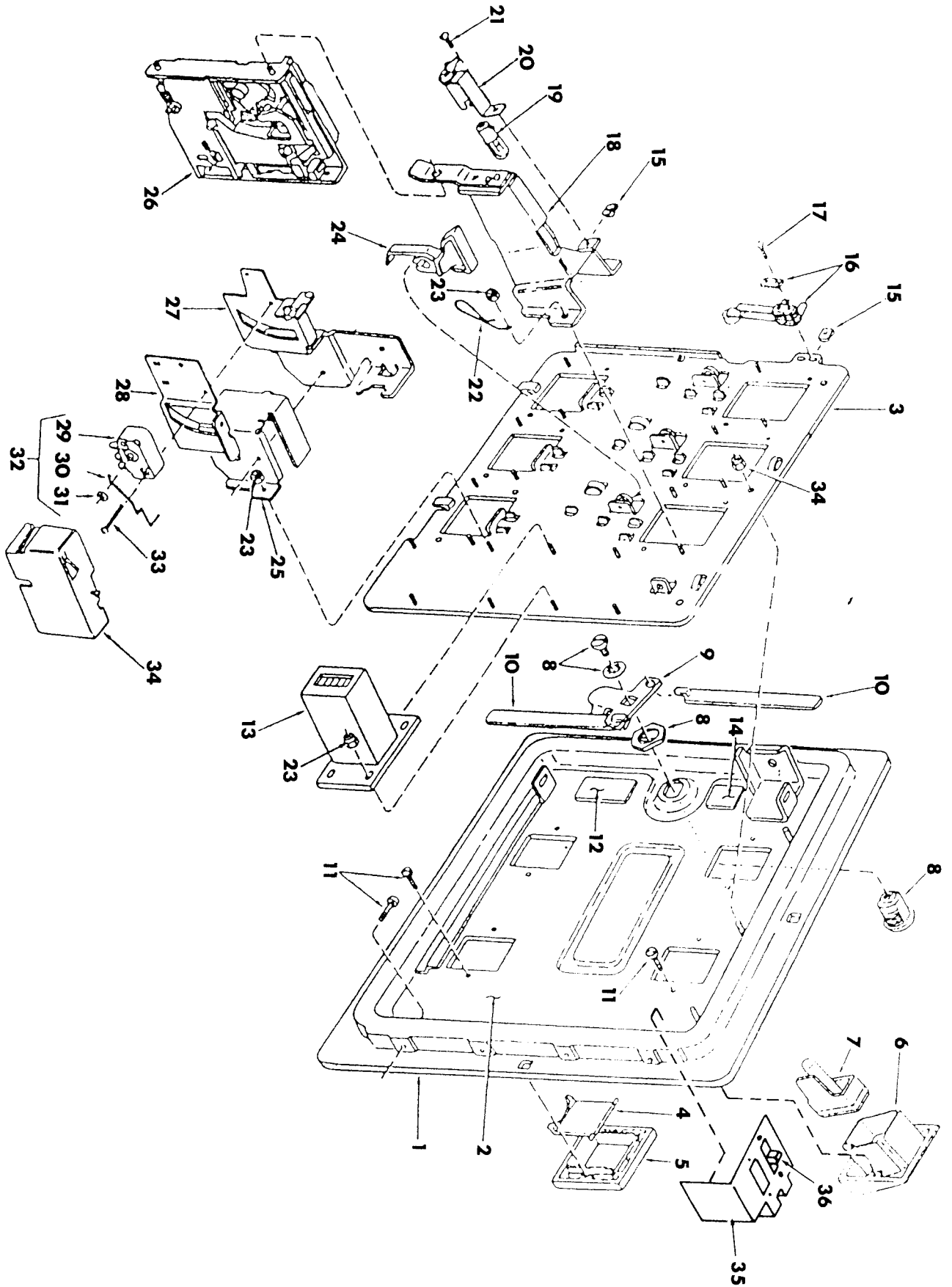


MANUAL ADDENDUM FOR ICE COLD BEER AND ZEKE'S PEAK

We are now using chrome side rods. These rods need periodic lubrication to prevent erratic operation of the sliding bar assembly. To lubricate the chrome side rods, a heavy grease, such as bearing grease, will work best for lubrication. These rods should be lubricated once every two months.

COIN DOOR A



COIN DOOR A

Index No.	Part No.	Description
1	904581	Coin Door Frame
2	404341	Coin Door
3	904587	Coin Door Inner Panel
4	905484	Coin Return Door
5	904590-2	Coin Return Bezel
6	905425-4	Coin Inlet Bezel
7	404604	Button Assembly
8	404767	7/8-Inch Flat Key Lock
9	904719-1	Pivot Arm for 7/8-Inch Flat Key Lock
10	904718-1	Universal Locking Arm (2)
11	325-4-4	Screw
12	906030	Identification Label
13	404352-1	Counter Assembly (12vdc)
14	904822	Slam Switch Insulation
15	904712	"U" Type Fastener
16	904704	Slam Switch Assembly
17	166-4-8	Screw
18	404645	Coin Inlet Chute Assembly
19	904716	Lamp (6.3 volt)
20	904717	Lamp Socket
21	110-4-6	Screw
22	904722	Wire Key Holder
23	400-4	Nut
24	904583	Coin Return Lever
25	904598-1	Coin Return Box
26	5300-0	25¢ NORYL Acceptor
27	905417	Switch and C.R.E.M. Bracket
28	904701	Coin Chute
29	900670	Coin Switch
30	904710	25¢ Switch Wire
31	900651	Switch Wire Retainer
32	404353	25¢ Coin Switch Assembly
33	100-4-12	Screw
34	904762-1	Switch Cover
35	61-00113-001	Switch Bracket
36	29-00022-001	Switch

COIN DOOR B

ITEM	TAITO PART NO.	DESCRIPTION	REFERENCE
1	61-00270-001	DOOR FRAME	15-8039
2	61-00271-001	DOOR	15-8038
3	61-00272-001	HINGE	30-9125
4	61-00273-001	TAITO NAME PLATE	15-8115
5	63-00124-001	COIN ENTRY SLOT	15-8074
6	63-00125-001	PUSH BUTTON COVER	15-8072
7	63-00126-001	PUSH BUTTON	15-8071
8	58-00007-001	COMPRESSION SPRING	30-7722
9	63-00127-001	REJECT LEVER	15-8084
10	61-00274-001	COIN CHUTE	15-8075
11	63-00128-001	COIN RETURN DOOR	15-8083
12	61-00275-001	LOCK OUT COIL	15-8081
13	61-00276-001	GUARD	15-8092
14	63-00129-001	COIL BRACKET	15-8080
15	23-00003-001	COIN RETURN BOX	15-8091
16	63-00130-001	SWITCH COVER	15-8043
17	29-00036-001	SLAM SWITCH	15-1255
18	59-00055-001	PLASTIC COIN ACCEPTOR .25	31-4014
19	63-00131-001	COIN ACCEPTOR RETAINER	15-8086
20	59-00020-025	1/4" E RING	30-0731
21	58-00008-001	EXTENSION SPRING	30-7372
22	61-00277-001	SERVICE SWITCH BRACKET	15-8030
23	29-00022-001	SERVICE SWITCH	
24	07-00242-001	LOCK 5/8" ASSEMBLY	34-1855
25	07-00243-001	LOCK CAM ASSEMBLY	55-2909
26	61-00278-001	LOCK CAM PLATE	55-2909
27	61-00279-001	WIRE FORM (COIN SWITCH)	23-1348
*28	09-00258-001	DOOR CABLE ASSEMBLY	15-0868
29	33-00002-001	COIN COUNTER 6VDC	31-4550
30	27-00008-001	LAMP #1815	21-1815
31	26-00019-001	LAMP SOCKET 25B4-L187	15-9419
32	29-00041-001	SWITCH	23-1347
33	51-02002-002	#6-32 X1/4 PR PH SCREW	
34	51-02002-006	#6-32 X 1/2 PR PH SCREW	
35	79-50034-001	.25 PRICE DECAL	

* Item not shown on drawing.

