

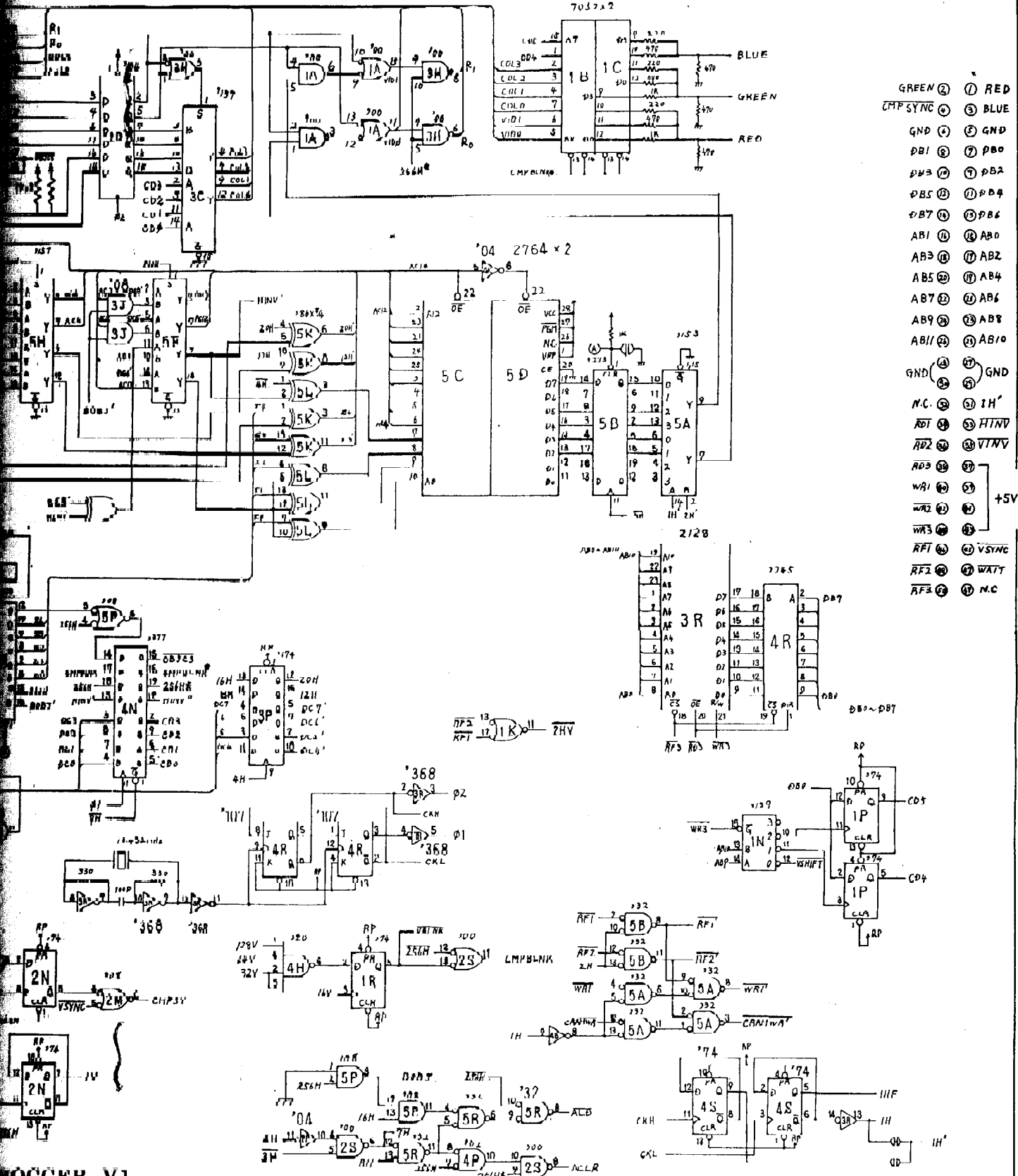
**HOCER V1**

**top board**

- 50PIN HEADER
- ⊙ 44PIN EDGE CONNECTOR

- RDB3 ○ 38
- RDB1 ○ 34
- RDB2 ○ 36
- WRB3 ○ 44
- WRB1 ○ 40
- WRB2 ○ 42
- RFB3 ○ 50
- RFB1 ○ 46
- RFB2 ○ 48
- VBSY ○ 45
- WATT ○ 47
- IH ○ 31
- VINV ○ 35
- HINV ○ 33





- GREEN (2) (1) RED
- CHPSYNC (4) (3) BLUE
- GND (4) (5) GND
- DB1 (6) (7) DB0
- DB3 (10) (11) DB2
- DB5 (13) (14) DB4
- DB7 (16) (17) DB6
- AB1 (18) (19) AB0
- AB3 (21) (22) AB2
- AB5 (24) (25) AB4
- AB7 (27) (28) AB6
- AB9 (30) (31) AB8
- AB11 (33) (34) AB10
- GND (35) (36) GND
- N.C. (37) (38) IH'
- AD1 (39) (40) HFTV
- AD2 (41) (42) VINV
- AD3 (43) (44)
- WR1 (45) (46) +5V
- WR2 (47) (48)
- WR3 (49) (50)
- RF1 (51) (52) VSYNC
- RF2 (53) (54) WFT
- RF3 (55) (56) N.C.

MOCCER V1

bottom board

Nov., 1983

**EME** © Eastern Micro Electronics, Inc.

12D Worlds Fair Drive Somerst, New Jersey 08873