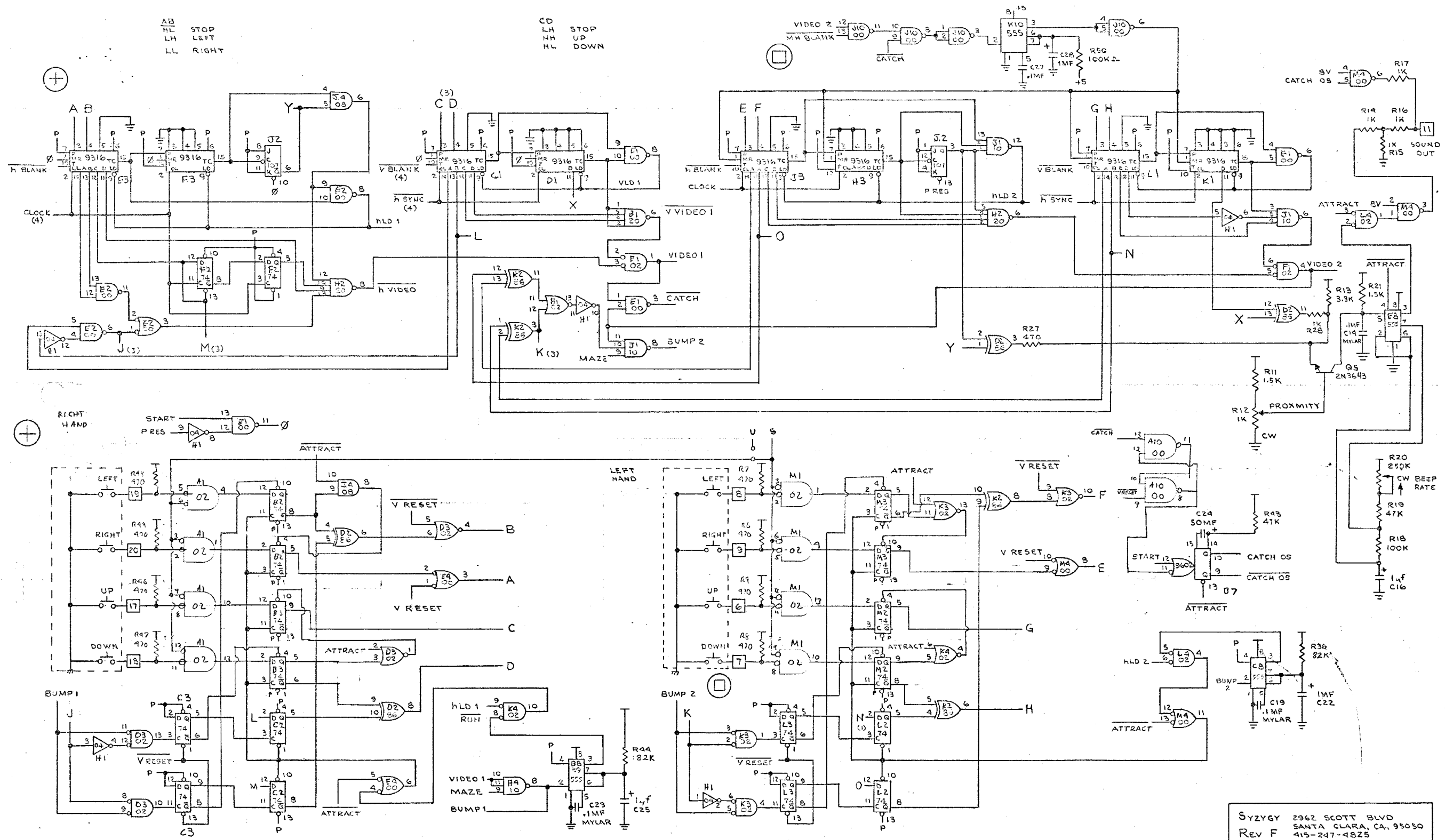


NOTE  
 ALL NPN - 2N3643  
 ALL PNP - 2N3644  
 Ge DIODE - IN100

7.15676 MHz		H RESET PERIOD 63.645	
1H - 3.57638 MHz	1V - 127.445	2V - 254.8	
2H - 1.78919	3V - 382.2	3V - 509.7	
4H - 4.59499	4V - 1018.4	4V - 1018.4	
5H - 2.1572	5V - 1273.0	5V - 1273.0	
6H - 1.0896	6V - 1527.6	6V - 1527.6	
7H - 0.6278	7V - 1782.2	7V - 1782.2	
8H - 0.3139	8V - 2036.8	8V - 2036.8	
9H - 0.1569	9V - 2291.4	9V - 2291.4	
	10V - 2546.0	10V - 2546.0	
	11V - 2800.6	11V - 2800.6	
	12V - 3055.2	12V - 3055.2	
	13V - 3309.8	13V - 3309.8	
	14V - 3564.4	14V - 3564.4	
	15V - 3819.0	15V - 3819.0	
	16V - 4073.6	16V - 4073.6	
	17V - 4328.2	17V - 4328.2	
	18V - 4582.8	18V - 4582.8	
	19V - 4837.4	19V - 4837.4	
	20V - 5092.0	20V - 5092.0	
	21V - 5346.6	21V - 5346.6	
	22V - 5601.2	22V - 5601.2	
	23V - 5855.8	23V - 5855.8	
	24V - 6110.4	24V - 6110.4	
	25V - 6365.0	25V - 6365.0	
	26V - 6619.6	26V - 6619.6	
	27V - 6874.2	27V - 6874.2	
	28V - 7128.8	28V - 7128.8	
	29V - 7383.4	29V - 7383.4	
	30V - 7638.0	30V - 7638.0	
	31V - 7892.6	31V - 7892.6	
	32V - 8147.2	32V - 8147.2	
	33V - 8401.8	33V - 8401.8	
	34V - 8656.4	34V - 8656.4	
	35V - 8911.0	35V - 8911.0	
	36V - 9165.6	36V - 9165.6	
	37V - 9420.2	37V - 9420.2	
	38V - 9674.8	38V - 9674.8	
	39V - 9929.4	39V - 9929.4	
	40V - 10184.0	40V - 10184.0	
	41V - 10438.6	41V - 10438.6	
	42V - 10693.2	42V - 10693.2	
	43V - 10947.8	43V - 10947.8	
	44V - 11202.4	44V - 11202.4	
	45V - 11457.0	45V - 11457.0	
	46V - 11711.6	46V - 11711.6	
	47V - 11966.2	47V - 11966.2	
	48V - 12220.8	48V - 12220.8	
	49V - 12475.4	49V - 12475.4	
	50V - 12730.0	50V - 12730.0	

SYZYGY 2362 SCOTT BLVD  
 SANTA CLARA, CA, 95050  
 REV F 415-247-4825  
 SCHEMATIC - GOTCHA  
 DESIGNER:  
 DRWN: PC DESIGN APP: SH 1 OF 2  
 7-20-75



AB STOP  
HL LEFT  
LL RIGHT

CD STOP  
LH UP  
HL DOWN

SYZYGY 2962 SCOTT BLVD  
SANTA CLARA, CA. 95050  
REV F 415-247-4825

SCHMATIC - GOTCHA

DESIGNER:  
DRWN: PC DESIGN APP: SH 2 OF 2  
7-25-73  
8-18-73

