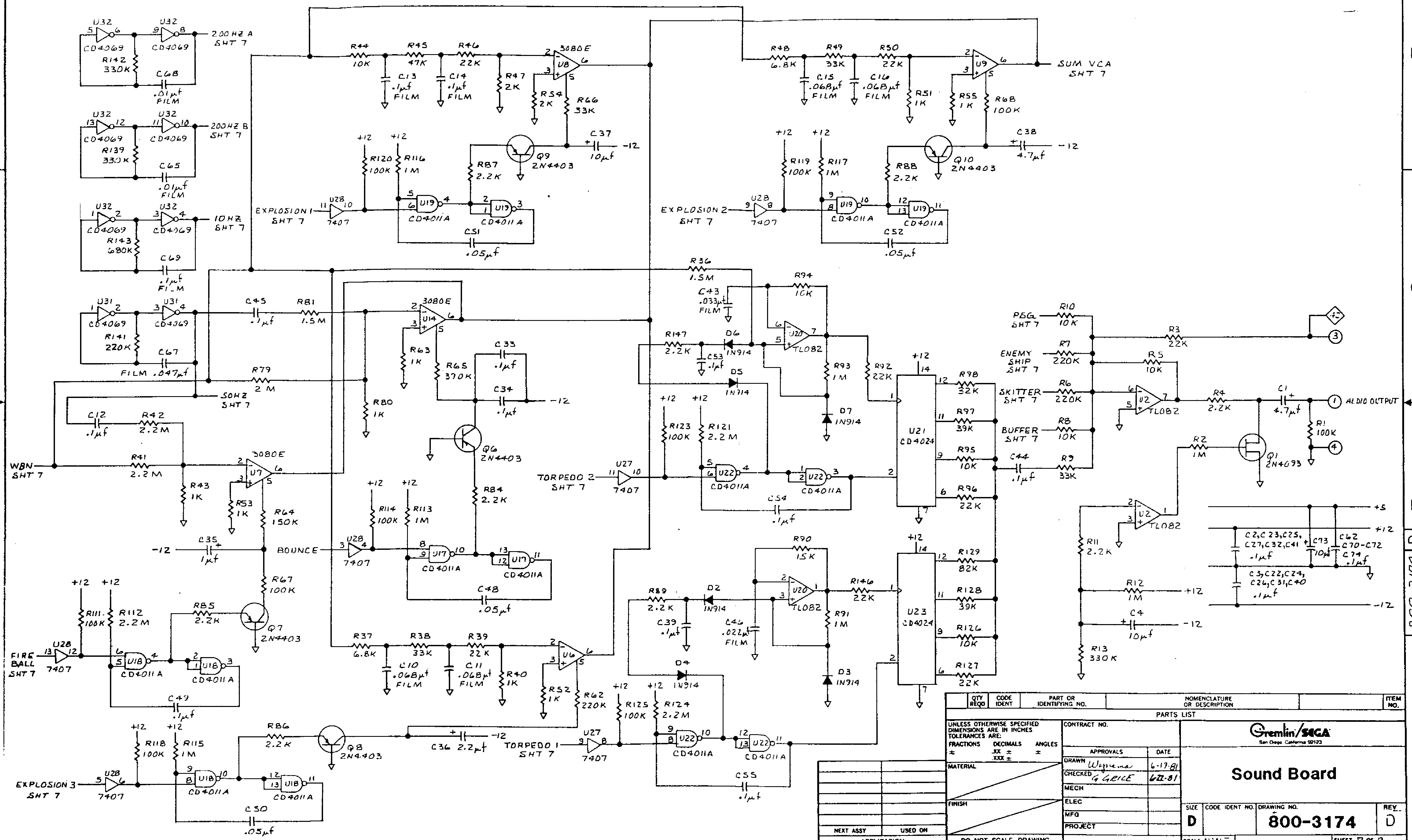


REVISIONS				
ZONE	LTR	DESCRIPTION	DATE	APPROVED
D		SEE SHT #1	H.G.A.	



QTY REQD	CODE IDENT	PART OR IDENTIFYING NO.	NOMENCLATURE OR DESCRIPTION	ITEM NO.
PARTS LIST				
UNLESS OTHERWISE SPECIFIED DIMENSIONS ARE IN INCHES TOLERANCES ARE:				
FRACTIONS	DECIMALS	ANGLES		
±	±	±		
MATERIAL			CONTRACT NO.	
FINISH			APPROVALS	
NEXT ASSY			DATE	
USED ON			DRAWN	
APPLICATION			CHECKED	
DO NOT SCALE DRAWING			MECH	
			ELEC	
			MFG	
			PROJECT	
SCALE N/C/N/E			SIZE	
			CODE IDENT NO.	
			DRAWING NO.	
			REV.	
			D	
			800-3174	
			SHEET 8 OF 8	

800-3174 D

A

84