



CROWNS GOLF

700 Chase Avenue • Elk Grove Village, Illinois 60007 • (312) 228-0451



Dear Customer:

Crowns Golf is played in two ways: For 25¢ the player can elect to play a hole at a time and keep on playing for as long as he manages to keep his score below 4 over par. For \$1.25 the player can play 9 holes (1/2 round).

During our testing period we learned that the average playing time was 4 1/2 minutes. In spite of this seemingly long length of time, the results in the cash box were very pleasing, as the game consistently earned enough money to make it a viable product for you to purchase.

Because of our concern for length of time, we felt that we could charge the player 50¢ a hole and consequently increase the earning potentials of the game.

The game we are shipping you will be set at 50¢ per player, \$1.50 for 1/2 round. However, should you elect to set your test piece at 25¢, all the options and all the materials needed are included.

Please make note that Kitco's address is now: 700 Chase Ave., Elk Grove Village, IL 60007. Telephone: 312-228-0451.

Thank you for your order.

Sincerely,

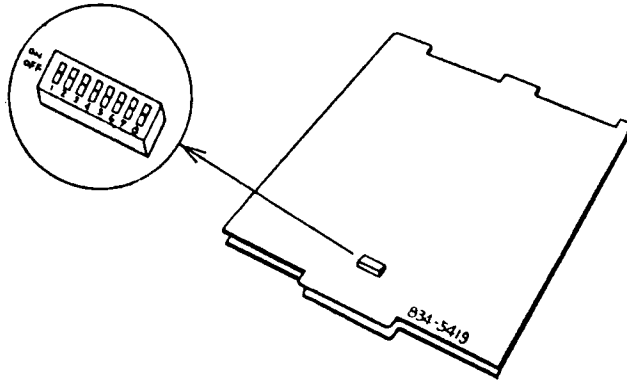
KITCO

Howard Rubin

CROWN'S GOLF SELF-TESTING INSTRUCTIONS

- ① Set the DIP SW #7 on the PCB to the "ON" position after turning the power off.

After setting DIP SW #7 to the "ON" position, turn the power on and the following will appear on the screen..



CREDIT	0	0	0	0	0	0	0	0	0
SELECT	0	0	0	0	0	0	0	0	0
PLAY 1	1	0	0	0	0	0	0	0	0
PLAY 2	1	0	0	0	0	0	0	0	0
DIP SW	0	1	0	0	0	0	0	0	0
COUNT 1	0	0	0	0	0	0	0	0	0
COUNT 2	0	0	0	0	0	0	0	0	0

Fig. 1

- ② "0" on the screen shows that the switch is in the "OFF" position. "1" on the screen shows that the switch is in the "ON" position.

The description and relevant explanations of each switch are given in Fig. 2.

CREDIT	NOT USED						SERVICE SW	COIN IN
SELECT				2 HALF-ROUND PLAY	1 HALF-ROUND PLAY	2 PLAY	1 PLAY	
PLAY 1	SHOT SW	DIRECTION RIGHT	DIRECTION LEFT	CLOSED STANCE	OPEN STANCE	FORWARD ADDRESS	BACKWARD ADDRESS	CLUB SELECT
PLAY 2	SHOT SW	DIRECTION RIGHT	DIRECTION LEFT	CLOSED STANCE	OPEN STANCE	FORWARD ADDRESS	BACKWARD ADDRESS	CLUB SELECT
DIP SW	DIP-SW8	DIP-SW7	DIP-SW6	DIP-SW5	DIP-SW4	DIP-SW3	DIP-SW2	DIP-SW1
COUNT 1	PLAYER 1 SHOT COUNTER							
COUNT 2	PLAYER 2 SHOT COUNTER							

FIG. 2

- ③ The button layout on the control panel is shown in Fig. 3.

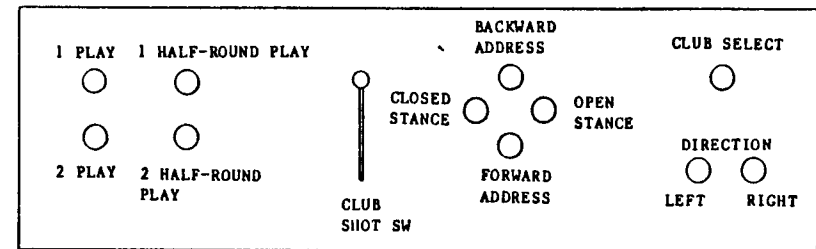
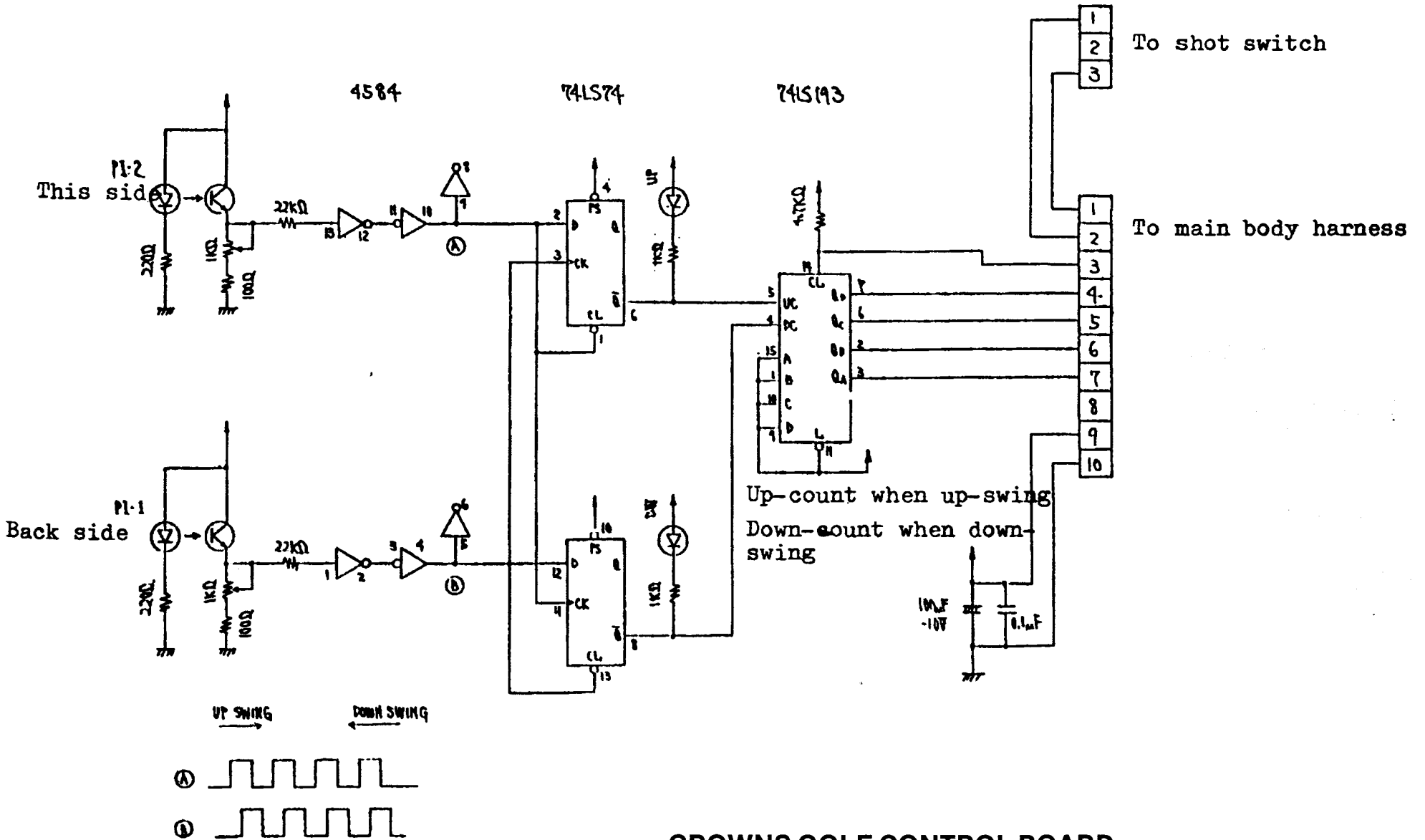


FIG. 3

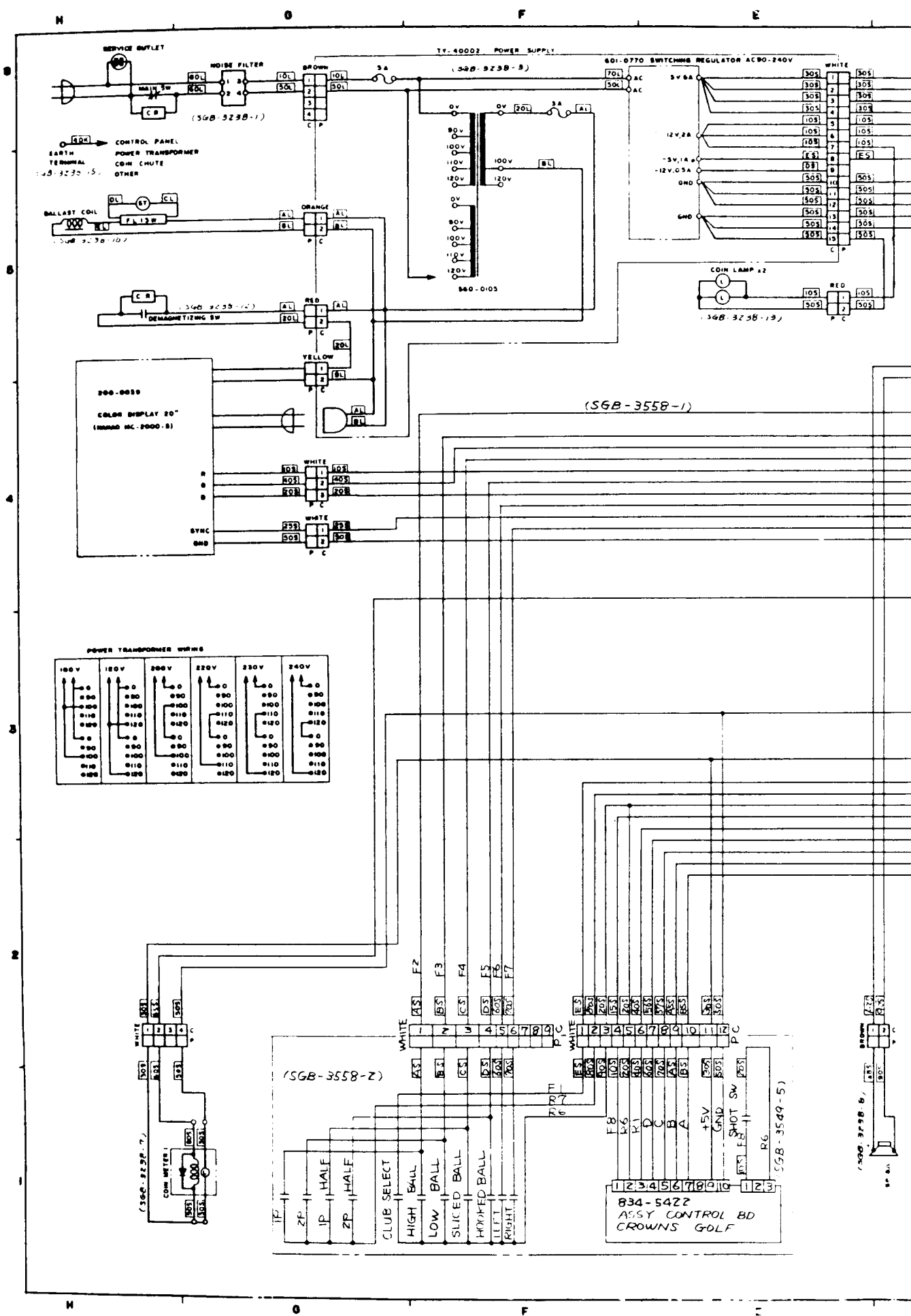
- ④ DIP SWITCH SETTING

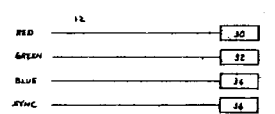
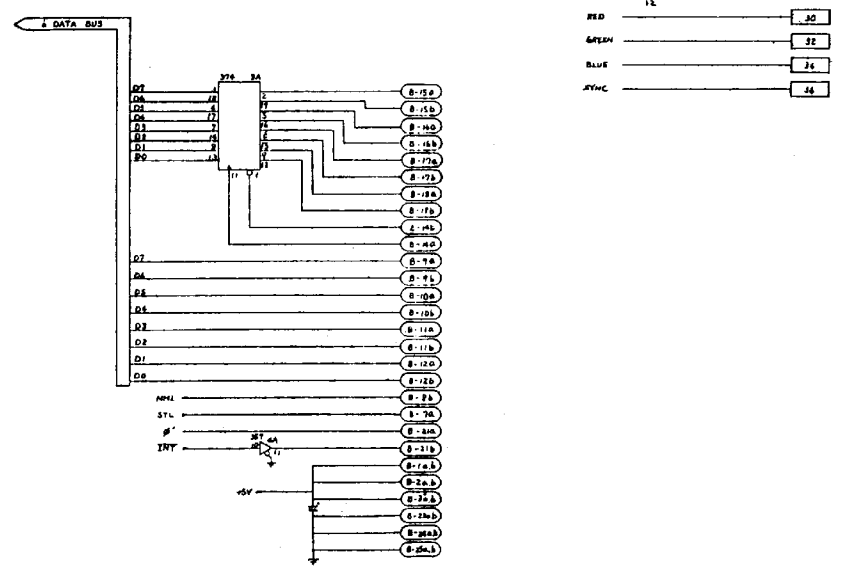
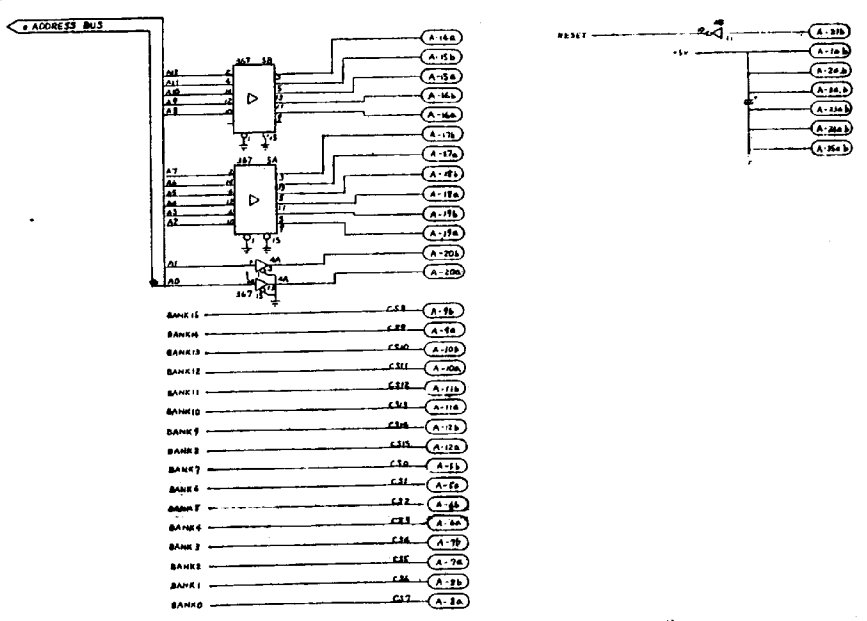
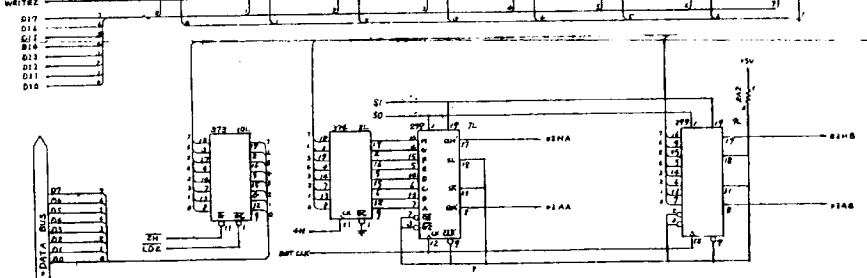
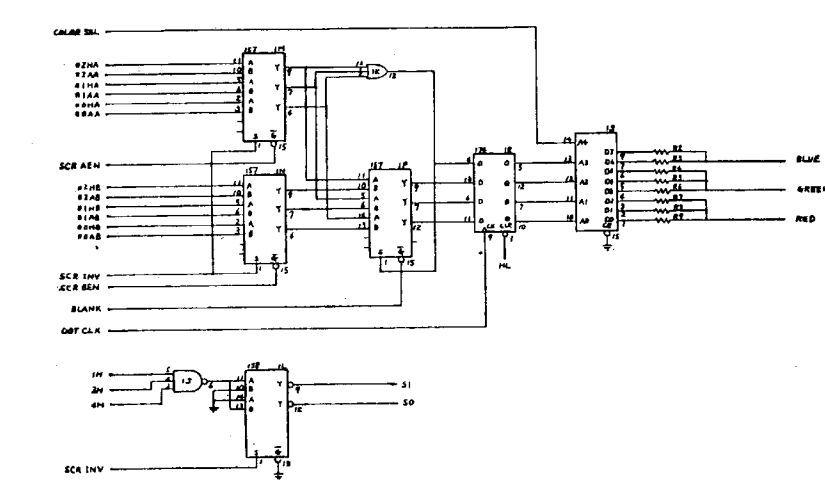
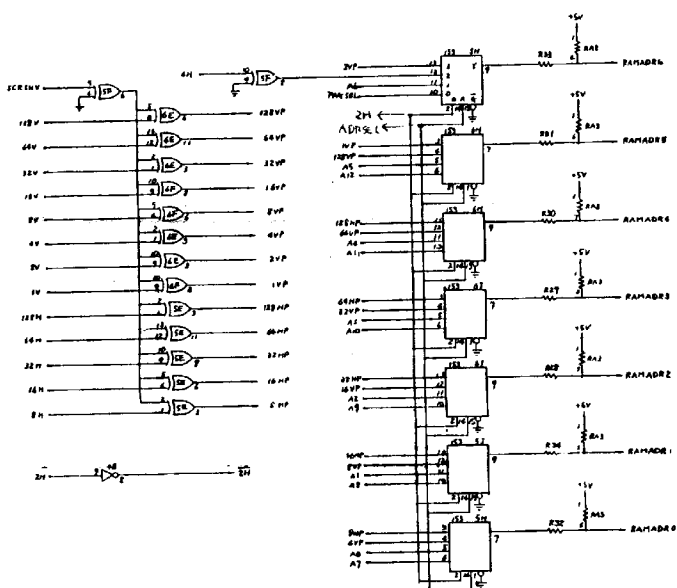
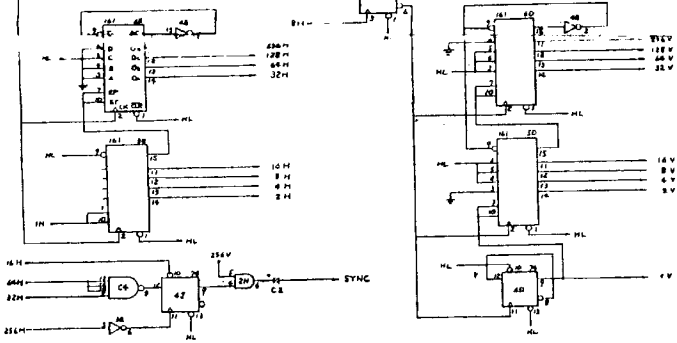
OPTION	1	2	3	4	5	6	7	8
1 GAME					OFF			
					ON			
HALF-ROUND PLAY	OFF			OFF				
	ON			OFF				
	OFF			ON				
	ON			ON				
GAME DIFFICULTY		OFF						NOT USED
		ON						
TABLE TYPE UPRIGHT TYPE			OFF					
			ON					
HI-SCORE/HOLE IN ONE list is cleared when the switch is turned ON.						OFF		
						ON		
TEST MODE when the switch is "ON".							OFF	
							ON	

* FACTORY SETTINGS

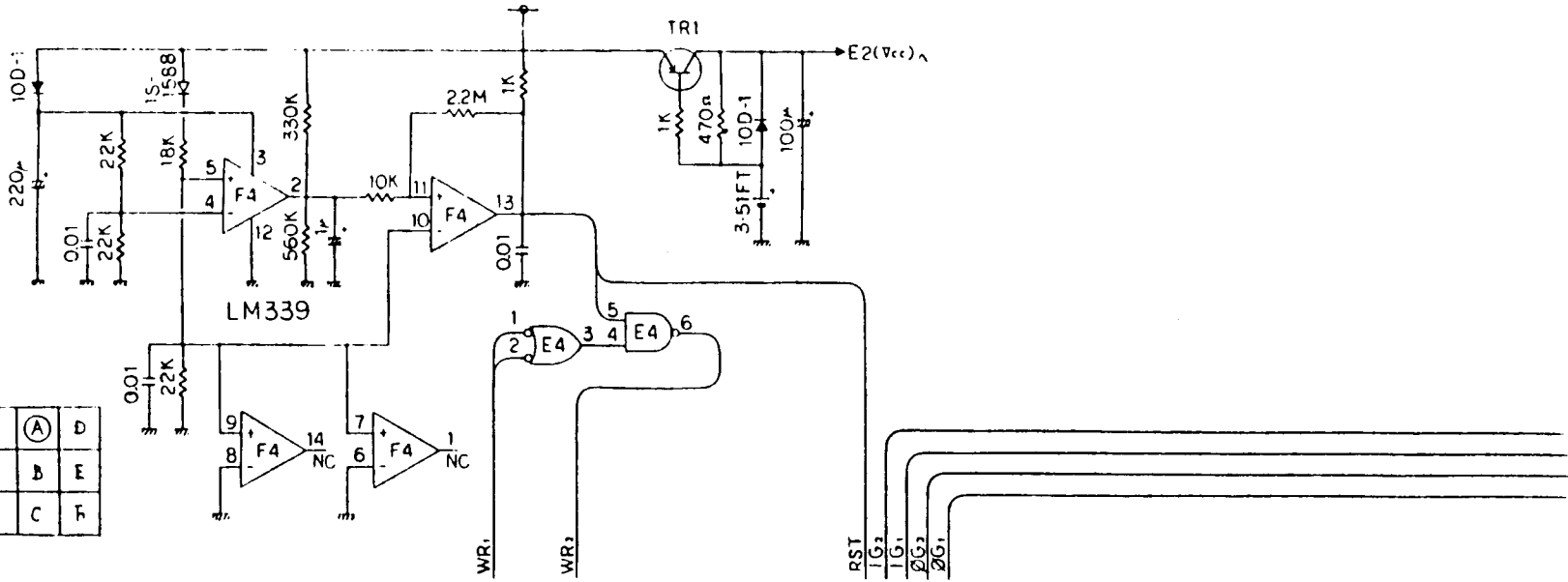


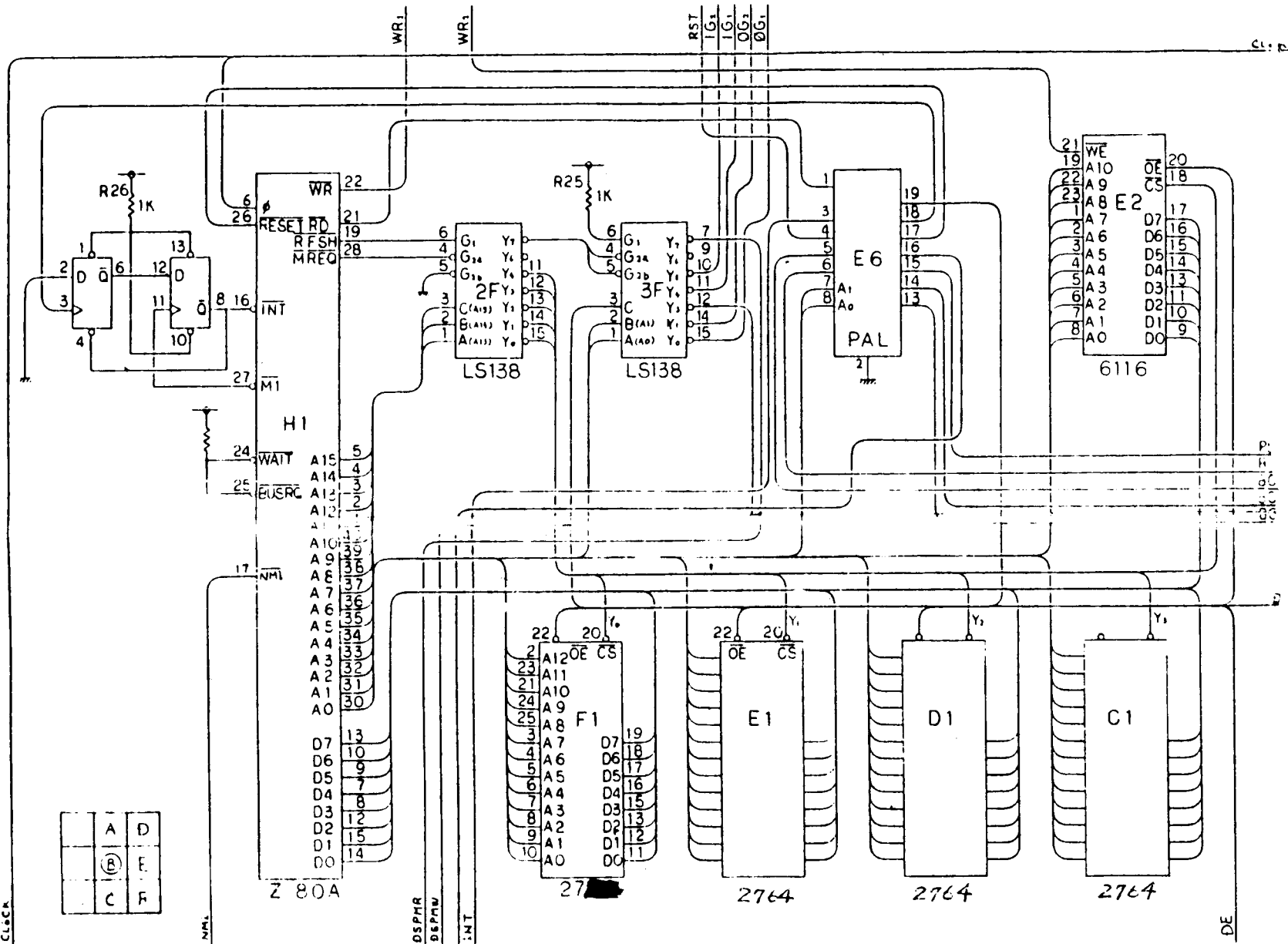
CROWNS GOLF CONTROL BOARD





	(A)	D
	b	F
	C	F

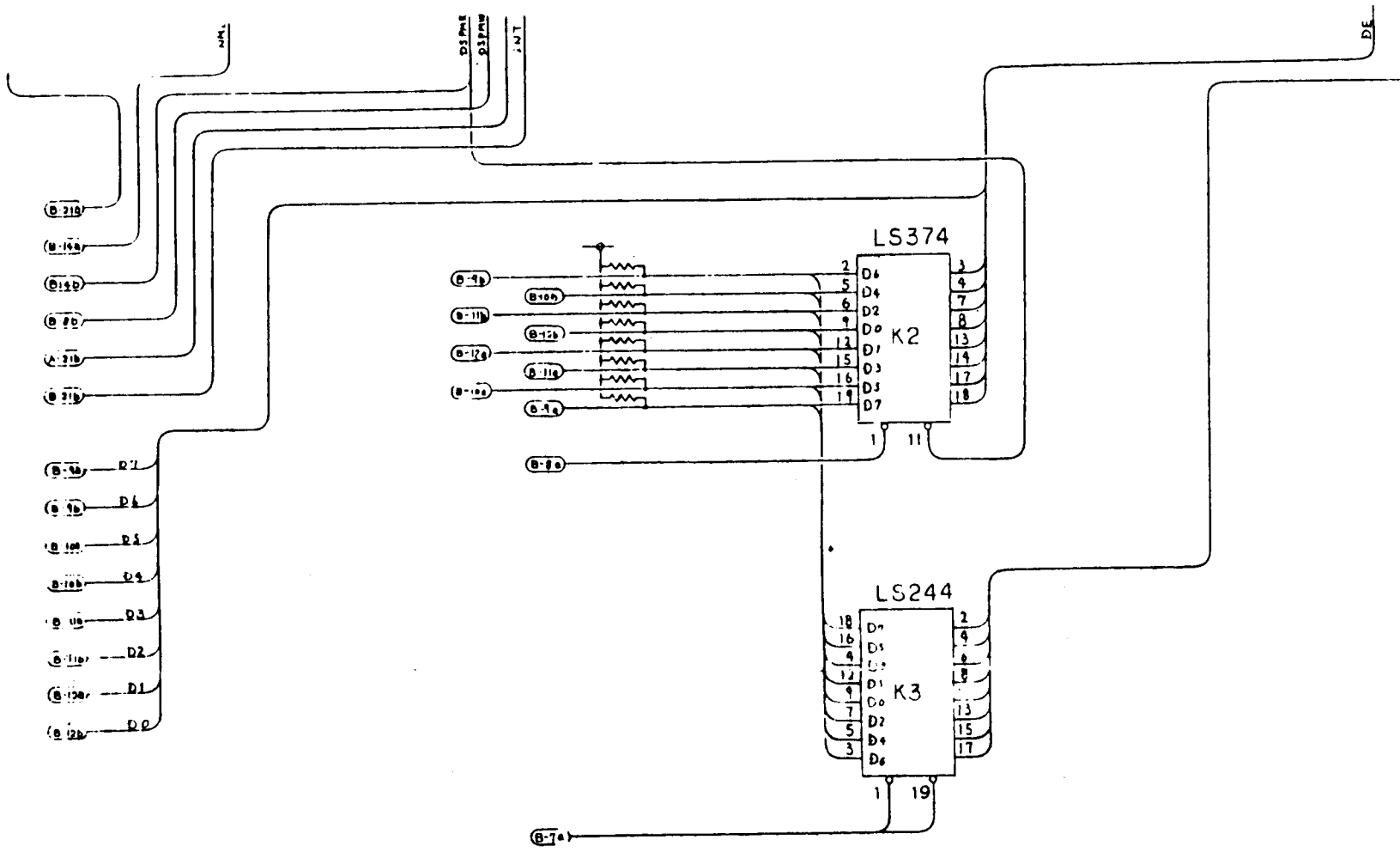




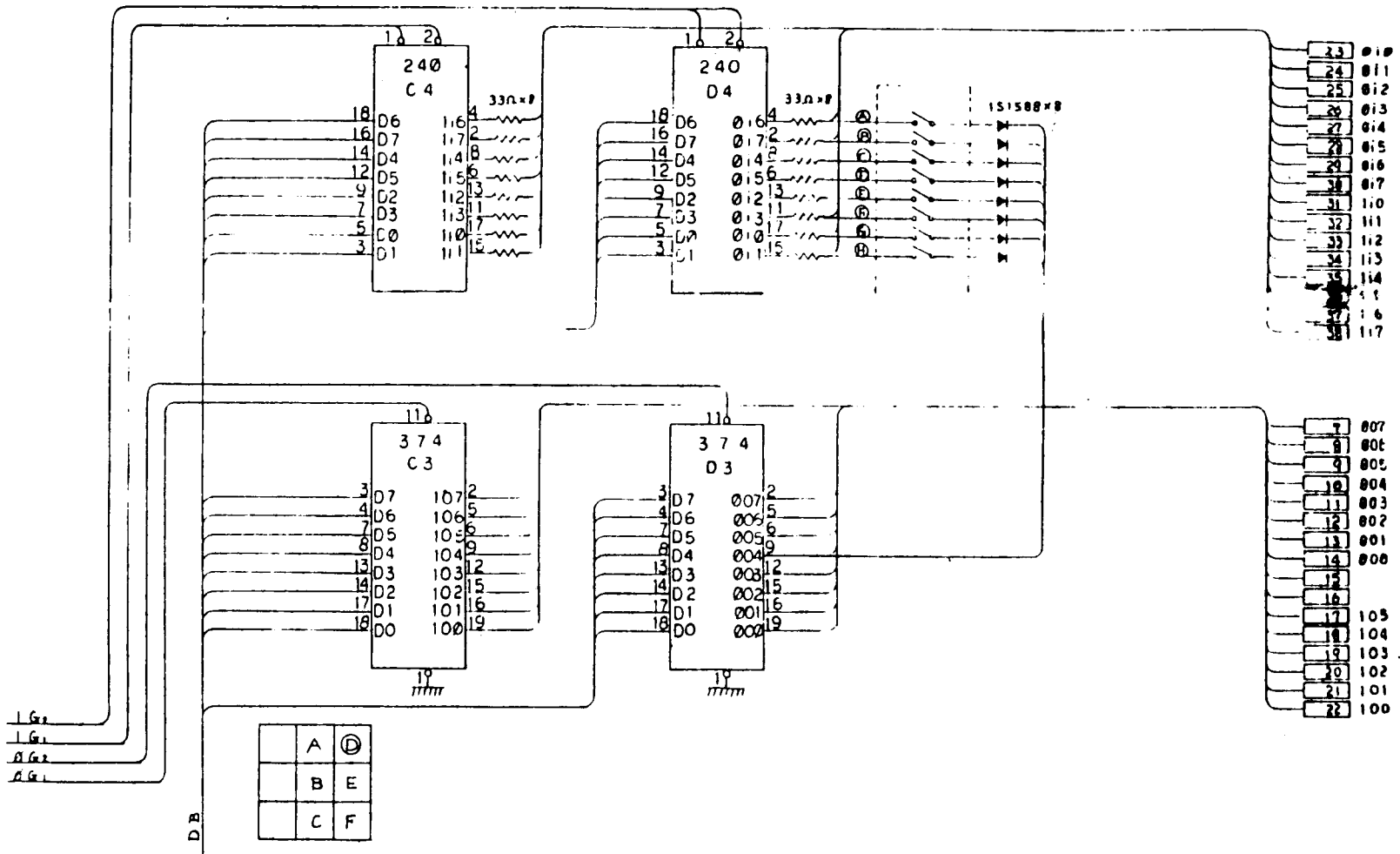
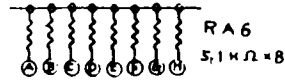
A	D
B	E
C	F

Cl. P.

DE

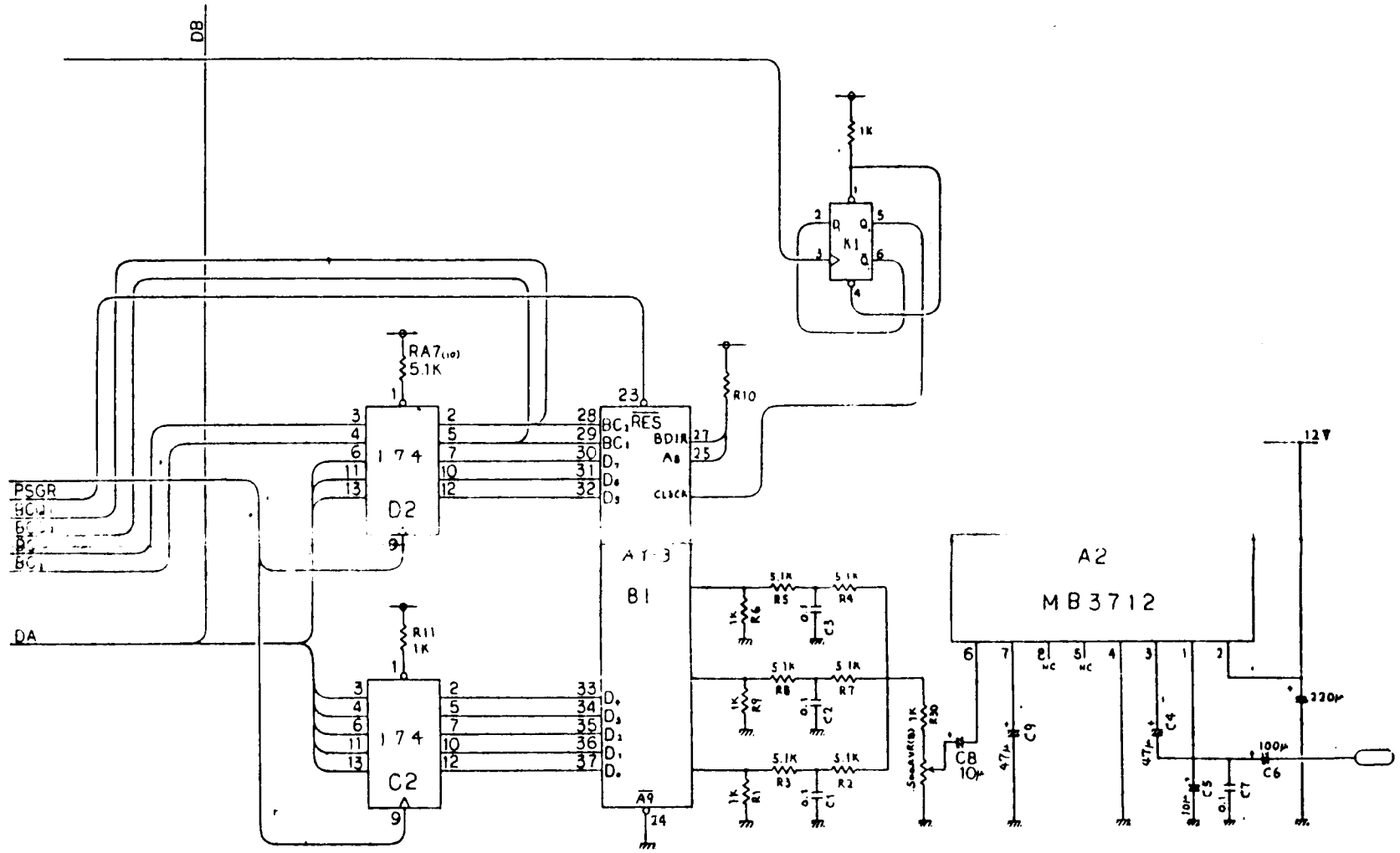


	A	D
	B	E
	C	F

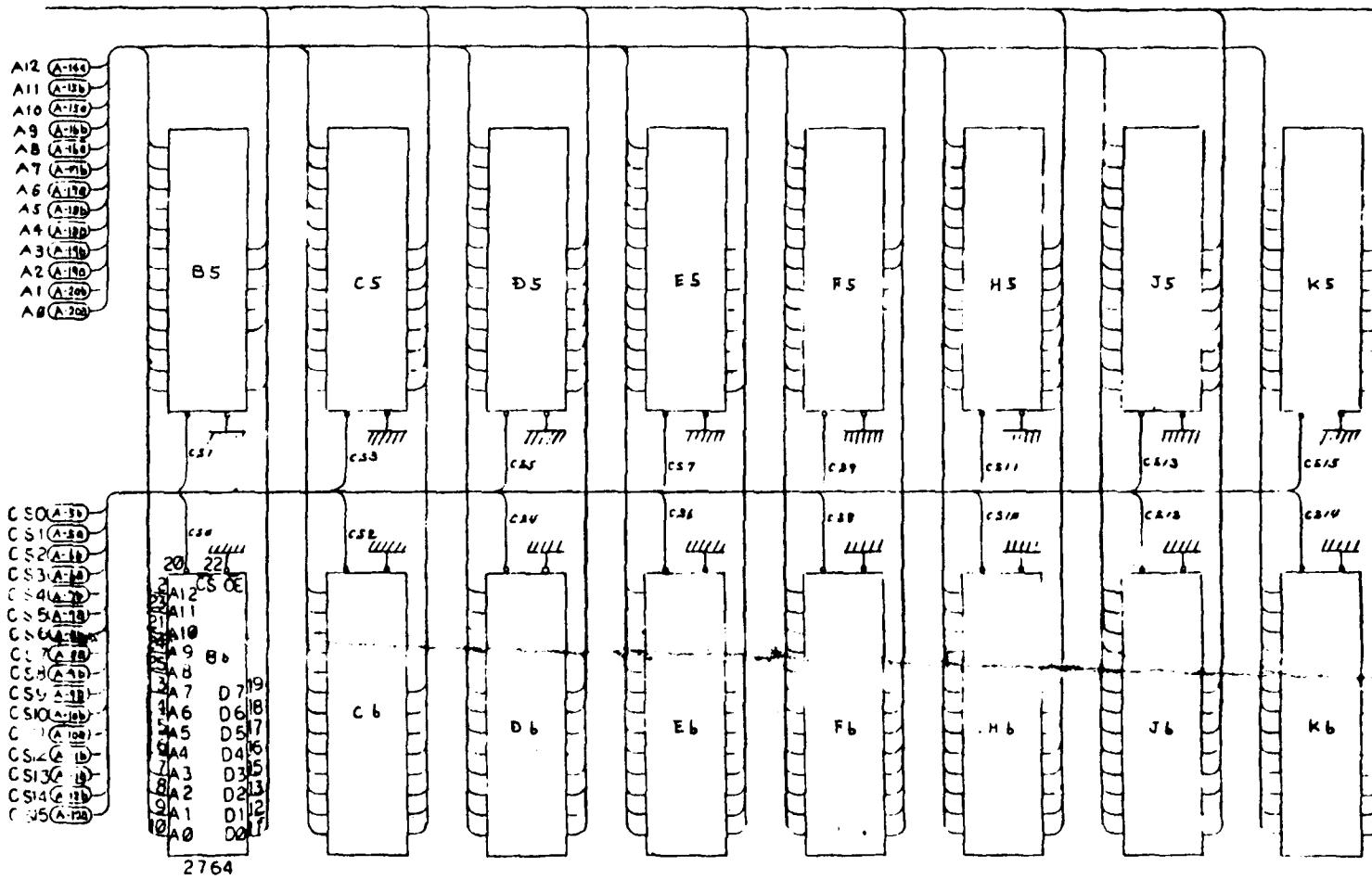


- 23 010
- 24 011
- 25 012
- 26 013
- 27 014
- 28 015
- 29 016
- 30 017
- 31 110
- 32 111
- 33 112
- 34 113
- 35 114
- 36 115
- 37 116
- 38 117

- 7 007
- 8 008
- 9 009
- 10 004
- 11 003
- 12 002
- 13 001
- 14 000
- 15 105
- 16 104
- 17 103
- 18 102
- 19 101
- 20 100

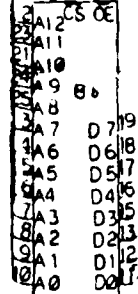


A	D
B	ⓔ
C	F



- A12 (A-16a)
- A11 (A-12b)
- A10 (A-12a)
- A9 (A-12b)
- A8 (A-16a)
- A7 (A-7b)
- A6 (A-12a)
- A5 (A-12b)
- A4 (A-12b)
- A3 (A-12b)
- A2 (A-12a)
- A1 (A-20a)
- A0 (A-20a)

- C50 (A-30)
- C51 (A-30)
- C52 (A-12)
- C53 (A-12)
- C54 (A-12)
- C55 (A-12)
- C56 (A-12)
- C57 (A-12)
- C58 (A-12)
- C59 (A-12)
- C50 (A-12)
- C51 (A-12)
- C52 (A-12)
- C53 (A-12)
- C54 (A-12)
- C55 (A-12)



A	D
B	E
C	F