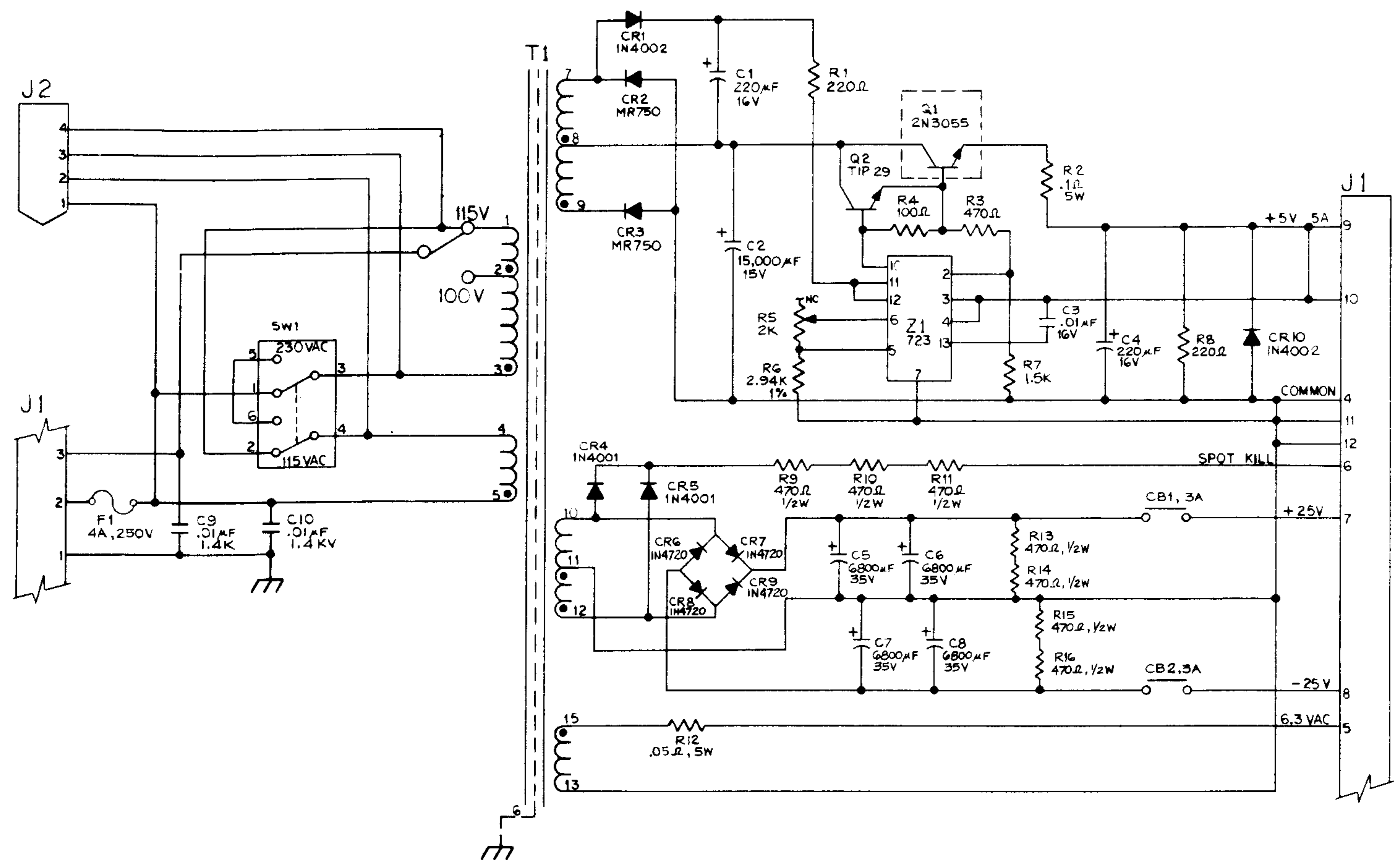


REVISIONS			
REV	DESCRIPTION	DATE	APPROVED



NOTES: UNLESS OTHERWISE SPECIFIED

MATERIAL:	DRAWN BY: C. ESCALERAS	DATE	CINEMATRONICS INC. El Cajon Ca. 92020
	PROJECT ENGR:	DATE	
FINISH:	RELEASE APPROV:	DATE	DWG TITLE NATIONAL POWER TECHNOLOGY POWER SUPPLY
	DO NOT SCALE DWG		MODEL NO. DWG NO. REV.
TOLERANCE: UNLESS OTHERWISE SPECIFIED		SCALE:	72-10842-42 A
PROJECTION:		SCALE:	CODE IDENT. SHEET 1 OF 1

BRUNING 40-21 40423