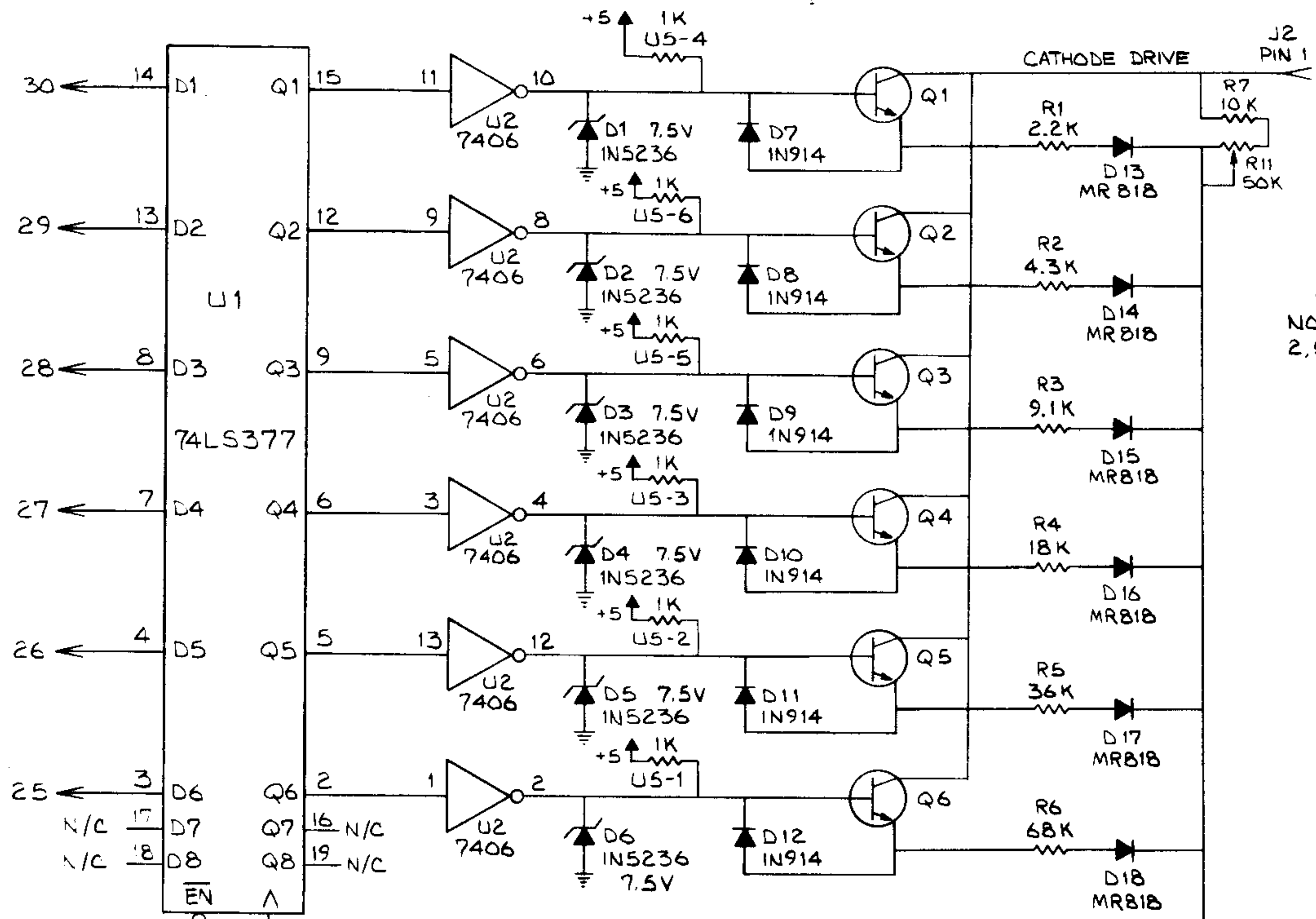
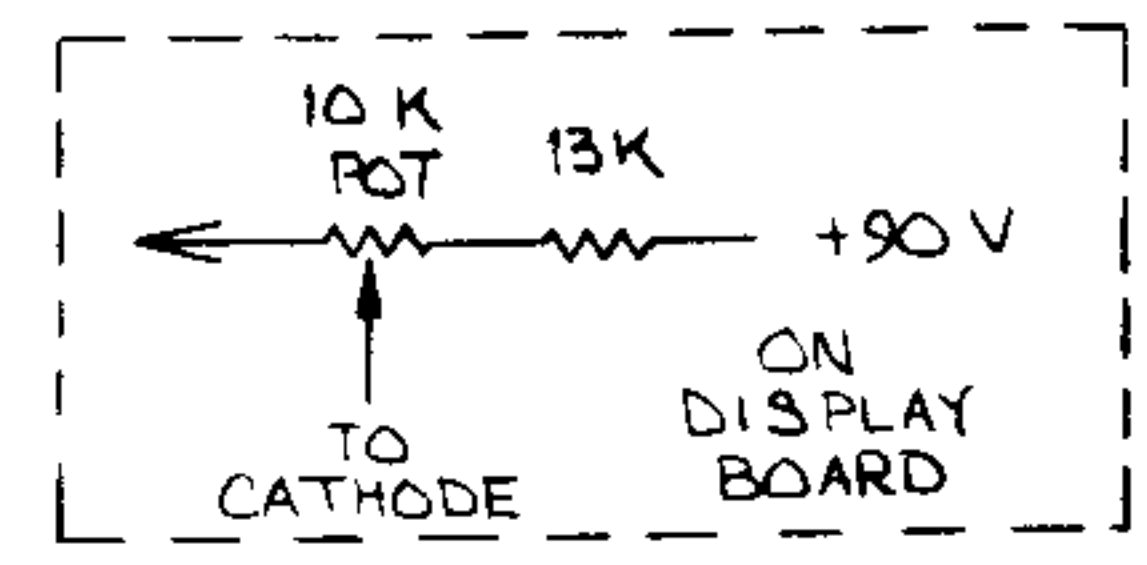
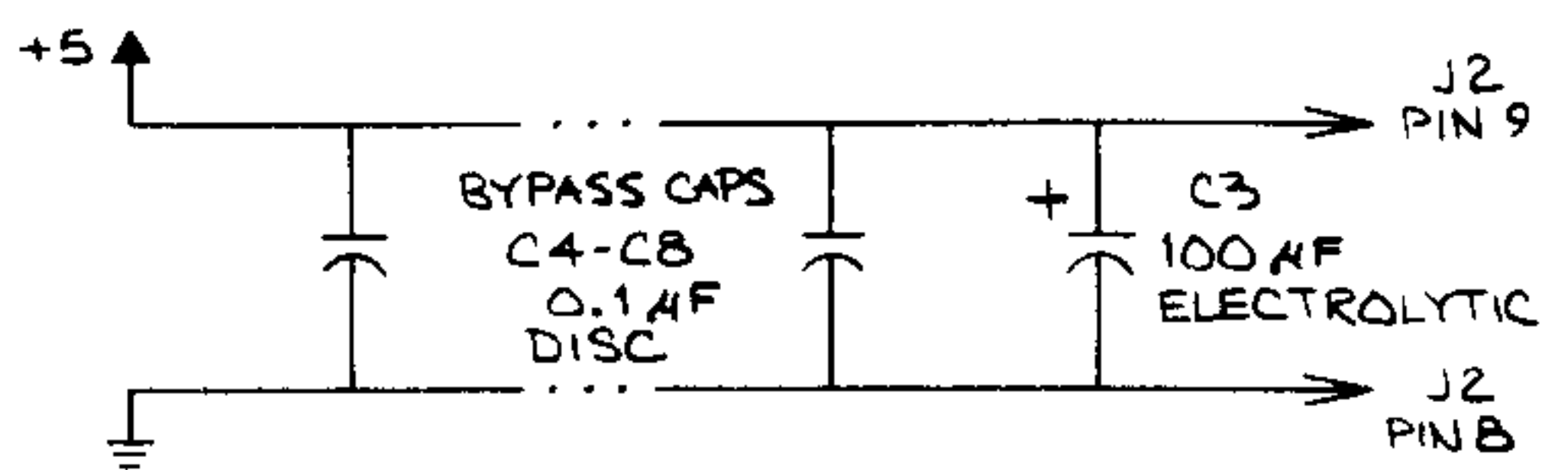
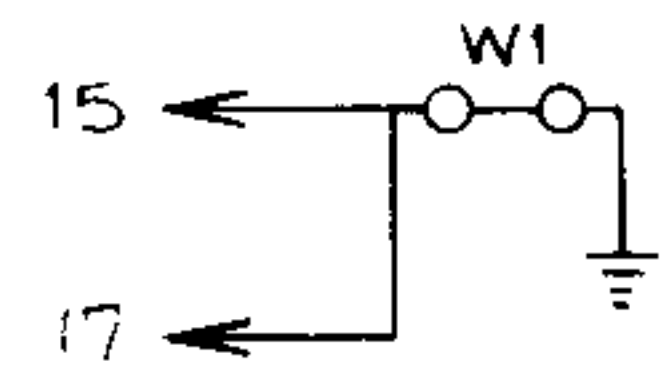


REVISIONS			
REV	DESCRIPTION	DATE	APPROVED



J2 PINS NOT USED
2, 5, 6, 7

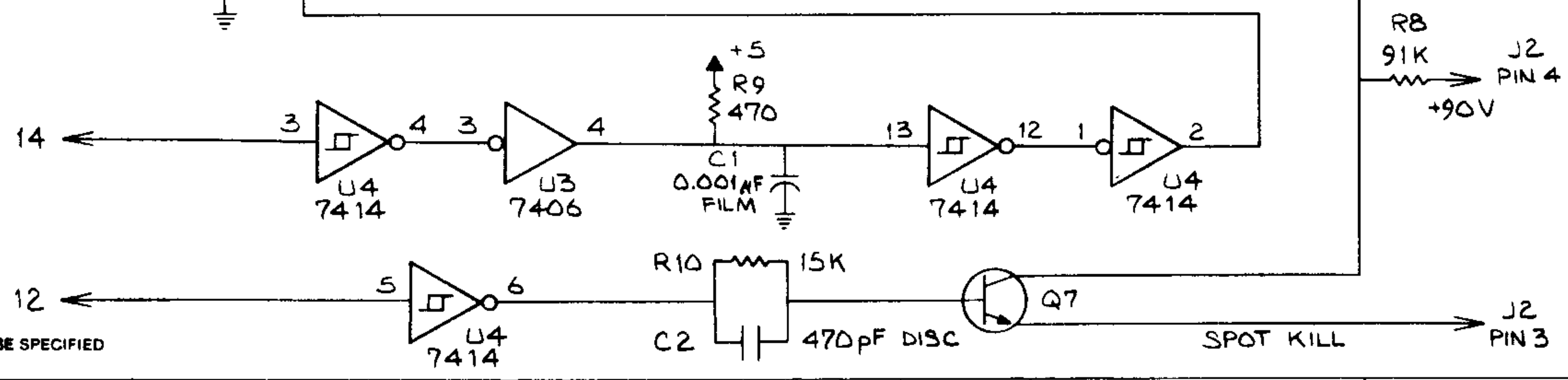
POWER DISTRIBUTION

IC REF.	+5 PIN	GND PIN
U1	20	10
U2	14	7
U3	14	7
U4	14	7
U5	16	NONE

UNUSED IC PINS
U3: PINS 1, 2, 5, 6, 8-13
U4: PINS 8, 9, 10, 11

- NOTES: UNLESS OTHERWISE SPECIFIED
- ALL RESISTOR VALUES ARE IN OHMS
1/4 WATT, 5% CARBON
 - U5 IS 16 PIN DIP PACKAGE CONTAINING
15 1K RESISTORS
U5 PINS 7-15 NOT USED
 - TRANSISTORS ARE 2N5550
 - LAST REFERENCE DESIGNATORS USED:
J2, U5, D18, C8, R11, Q7

J2 PINS NOT USED
1, 13, 16,
18, 24, 31-34



NOTES: UNLESS OTHERWISE SPECIFIED

19 SEPTEMBER 1981

MATERIAL	DRAWN BY: LOWES	DATE	CINEMATRONICS INC El Cajon Ca 92020
	PROJECT ENGR.	DATE	
FINISH	RELEASE APPROV.	DATE	DWG TITLE 64 LEVEL INTENSITY BOARD
	DO NOT SCALE DWG		MODEL NO. DWG NO. REV D 11375 A
TOLERANCE UNLESS OTHERWISE SPECIFIED		PROJECTION SCALE	SHEET 1 OF 1